



LOVE WONDER AND  
IT LOVES YOU BACK

# WONDER

CRAFTED • NOSTALGIC • ICONIC



## TRAVEL SYSTEM OWNER'S MANUAL

Important instructions on  
set up, maintenance and care.

# Important: Keep these instructions for future reference.

## Important safety Information

### General:

- **WARNING:** Never leave your child unattended.
- **WARNING:** Ensure that all the locking devices are engaged before use.
- **WARNING:** To avoid injury ensure that your child is kept away when unfolding and folding this product.
- **WARNING:** Do not let your child play with this product.
- **WARNING:** Check that the pram body or seat unit or car seat attachment devices are correctly engaged before use.
- **WARNING:** This product is not suitable for running or skating.
- Do not use replacement parts or accessories other than those approved by Cosatto.
- A basket is provided for the carriage of 2kg of goods, evenly distributed.
- A changing bag (style varies) is provided with a max load limit of 2 kg, evenly distributed, while attached to the chassis handle.
- Any additional load attached to the handle or on the back of the backrest or on the sides of the vehicle will affect the stability and safety of the vehicle.
- Do not use a platform with this product as it may render the product unsafe.
- Always apply the brake when placing or removing a child from vehicle.
- Never carry a second child on the product.
- This product complies with BS EN 1888:2012.

### Carrycot mode:

The carry cot can be used separately from the chassis. In this mode:

- The carry cot is suitable from birth.
- Must only be used in lie flat position.
- **WARNING:** This product is only suitable for a child who cannot sit up unaided.
- **WARNING:** Use only on a firm, level and dry surface.
- **WARNING:** Do not let other children play unattended near the carrycot.
- **WARNING:** Do not use if any part is broken, torn or missing.

- **WARNING:** Never use this carrycot on a stand.
- Be aware of the risk of open fire and other sources of strong heat, in the near vicinity of carry cot.
- Carry handle and the base of the carry cot should be inspected regularly for signs of damage and wear.
- Prior to carrying or lifting, make sure that the hood handle is fully opened and locked into position.
- The head of the child should never be lower than the body of the child.
- No additional mattress shall be added.
- This carry cot complies to BS EN 1466:2014.

## **Pram mode:**

Pram mode is achieved using the carry cot mounted on the chassis. In this mode:

- The pram is suitable from birth until your child is ready for a fully seated position (pushchair mode).
- As soon as your child can support their head, the adjustable backrest can be used.
- **WARNING:** Always use a harness as soon as your child can sit unaided.
- **WARNING:** To prevent risk on entanglement, remove harness when child is in lie-flat position.
- A harness compliant with EN 13210:2004 is supplied with this product
- A mesh pocket is provided on the underside of the unit for carriage of the raincover only.
- A pocket is provided on the underside of the apron for carriage of the mosquito net only.

## **Pushchair mode:**

Pushchair mode is achieved using the seat unit (forward or rear facing) attached to the chassis. In this mode:













- The pushchair is suitable for children from birth up to a maximum user weight of 15kg.
- **WARNING:** Always use the restraint system.
- **WARNING:** Always use the crotch strap in combination with the waist belt.
- Use the seat in the most reclined position for new born babies until they can sit up unaided.
- Ensure your child wears a correctly fitted and adjusted harness at all times. D-rings are provided for the attachment of a separate safety harness approved to BS EN 13210 should this be required.
- A pocket is provided on the rear of seat unit for carriage of the raincover only.

## Car seat:

For use as a travel system, the chassis is only compatible with the Wonder car seat. In this mode:

- This product does not replace a cot or a bed. Should your child need to sleep, then it should be placed in suitable cot, bed or carry cot.

## Visual language Key:

	Refer to warning XX		Lock
	Correct action		Unlock
	Incorrect action		Press and hold
	Audible sound		Check
	Repeat action x times		Continue to step XX
	General action arrow		Repeat on other side



## Parts

### Chassis

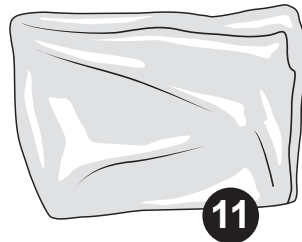
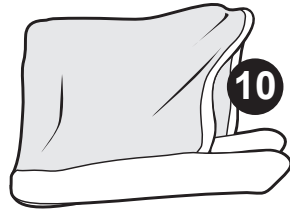
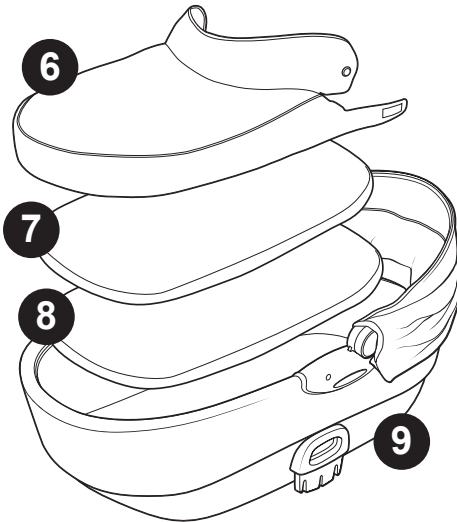
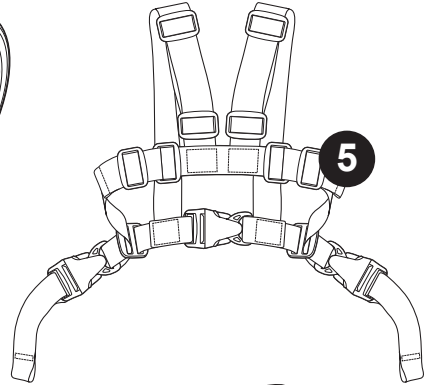
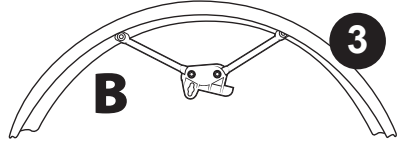
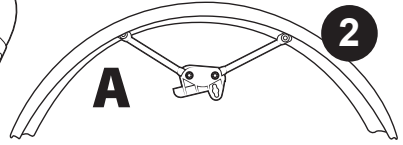
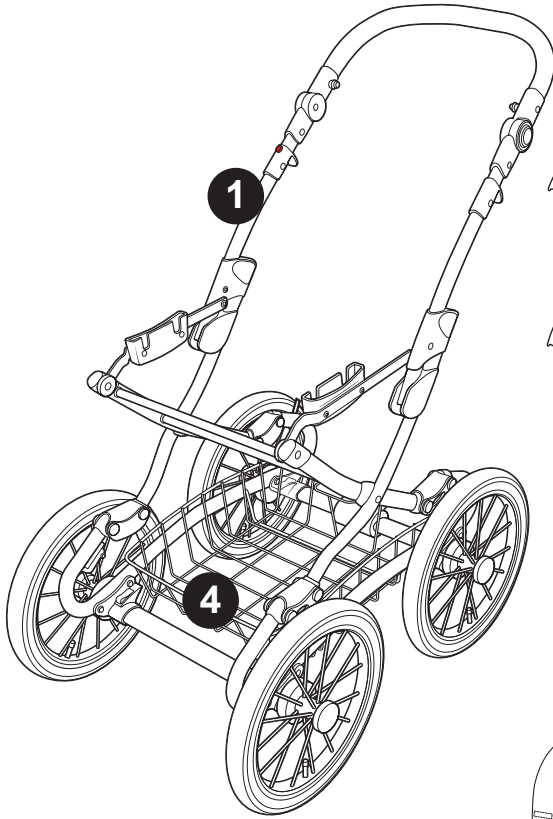
1. Chassis
2. Mudguard 'A' x2
3. Mudguard 'B' x2
4. Basket

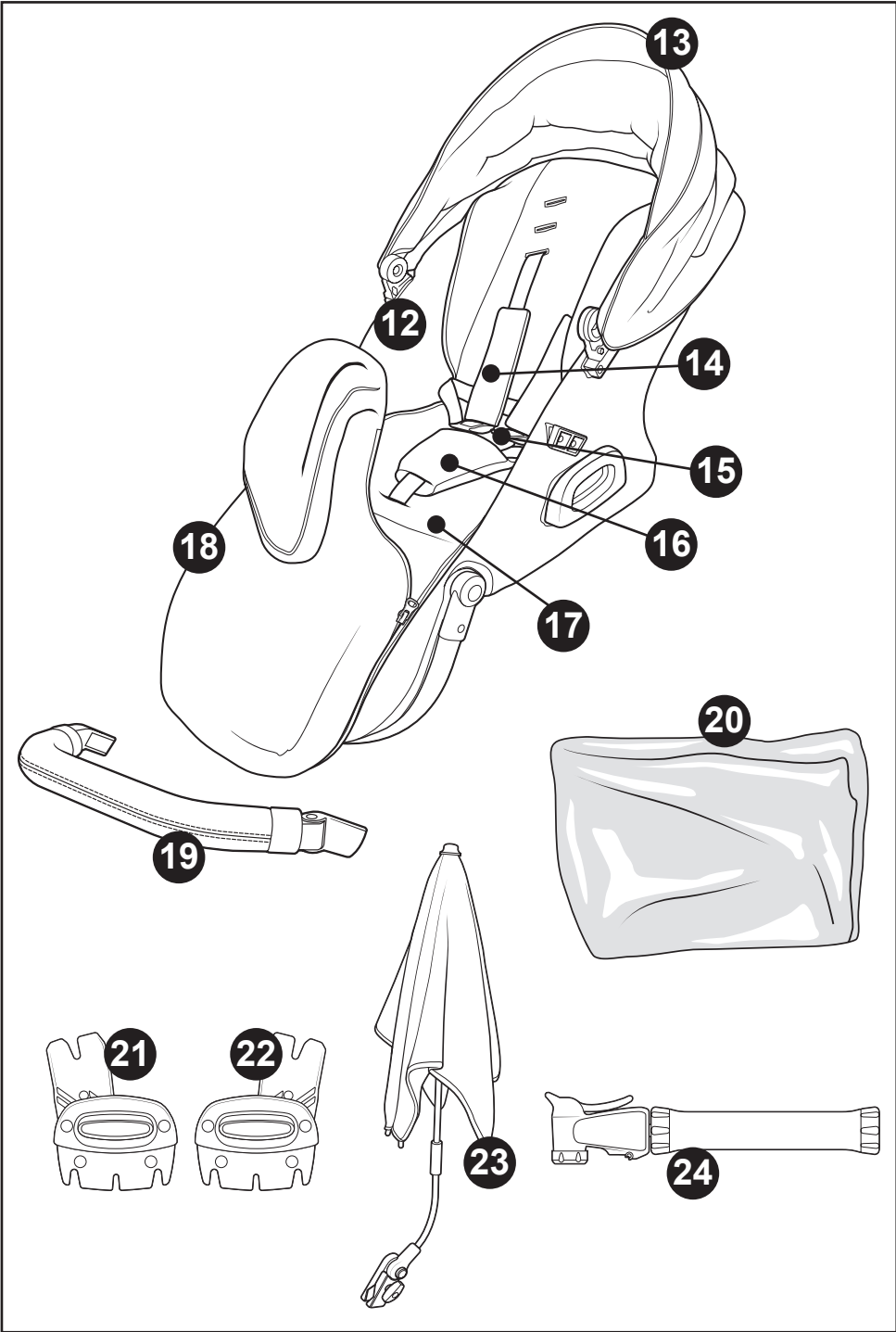
### Carrycot

5. Harness
6. Apron
7. Mattress Cover
8. Mattress
9. Carrycot
10. Mosquito Net (Stored in pocket under carrycot apron)
11. Raincover (stored in pocket under carry cot)

### Seat Unit

12. Seat Unit
13. Hood
14. Chest Pads x2
15. Harness
16. Crotch Pad
17. Seat Liner
18. Footmuff
19. Bumper Bar
20. Raincover (stored in pocket in backrest)
  
21. Car Seat Adaptor 'L'
22. Car Seat Adaptor 'R'
23. Parasol
24. Tyre Pump
  
25. Changing Bag (not shown) \*style varies





## Replacement Parts:

The replacement parts shown below are available for your product. For UK & Ireland customers, order through our website: <http://www.cosatto.com/service-centre/spares>  
For customer outside UK & Ireland, contact information for your local distributor can be found on <http://www.cosatto.com/stockists>

If you require any further assistance, please contact us at [cuddle@cosatto.com](mailto:cuddle@cosatto.com)

Chassis

Mudguard 'A'

Mudguard 'B'

Wheel (full)

Wheel inner tube only

Wheel tyre only

Carrycot Inner liner

carrycot Mattress

Carrycot mattress cover

Carrycot mosquito net

Carrycot raincover

Carrycot apron

Carrycot harness

Seat unit fabric

Seat unit frame

Seat unit harness

Seat unit harness clip only

Seat unit crotch pad

Seat unit chest pad (set)

Seat unit bumper bar

seat unit hood

seat unit footmuff

seat unit raincover

Changing bag

Changing mattress

Messy bag

Parasol

Pump

Car seat adaptor (set)

## **Care & Maintenance:**

Your travel system has been designed to meet comprehensive safety standards, and with correct use and maintenance will give many years of trouble free performance.

The chassis is strong but will weaken should the back wheels be bumped down stairs or kerbs. Continual impact will cause damage.

If your child wears hard shoes these might damage the soft fabric.

Store your travel system in a dry, safe place.

Storing a damp travel system will encourage mildew to form, so after exposure to damp conditions, dry off with a soft cloth and allow to dry thoroughly before storing.

Do not leave the travel system in sunlight for prolonged periods - some fabrics may fade.

Regularly inspect the locking devices, brakes, wheels, harness assembly, catches, seat adjusters, joints and fixtures to ensure they are secure and in full working order. They should move freely at all times.

Cosatto products are designed to operate with minimum maintenance, however regular lubrication of moving parts will extend the life of your travel system and make opening and folding easier.

Should parts of your travel system become stiff or difficult to operate, apply a light application of a spray lubricant e.g. silicone. Do not use oil or grease.

Wheels are subject to wear and should be replaced if necessary.

Your travel system should be serviced and reconditioned before using it for a second baby, or after 18 months, whichever is the sooner.

Hood may be cleaned by sponging lightly using warm water and a mild detergent.

Refer to the wash care label on soft goods for cleaning instruction.

Plastic and metal parts may be sponged clean with warm water and a mild detergent.

Never clean with abrasive, ammonia based, bleach based or spirit type cleaners.

# Fitting & Operation information

## Chassis

### 1

Open chassis:

Lift handle **(1)** over the chassis **(2)** until hinge locks engage **(3)**.

### 2

Handle adjustment:

Press down the handle release buttons on each side **(1)** and adjust handle **(2)**.

Release buttons when the handle is in desired position.

### 3

Brake:

Apply: Press down on brake lever **(1)**.

Release: Push up the brake lever **(2)**.

### 4

Mudguard:

Note: The mudguards are handed which are marked 'A' and 'B'. **(1)**.

### 5

Fitting: Align the mudguard fixing bracket to the chassis mount **(1)**. Slide the fixing bracket onto the chassis mount until it locks in place **(2)**.

### 6

Remove: Press one release button down **(1)** and slide the mudguard fixing bracket off the chassis mount **(2)**.

### 7

Wheels:

Remove: Press the wheel release button down **(1)** and pull the wheel away from the chassis **(2)**.

### 8

Fitting: Press the wheel release button down **(1)** and insert the wheel axle into the axle housing fully **(2)** then release the button **(3)**.

**Note:** Check the wheel is securely located by pulling back on the wheel.

### 9

Close Chassis:

Note: Chassis may be folded with seat unit fitted forward facing.

First adjust the handle so it's inline with the chassis tubing **2 (1)**.

Then, standing behind the handle, press down the primary lock button **(2)** on the right side locking lever, then simultaneously pull both side locking levers **(3 + 4)** back.

## 10

Push the chassis handle forward **(1)** and down **(2)** until the chassis is fully closed. Fold the handle down **(2)** **(3)**.

## Carrycot

### 11

Fitting to the chassis:

**Note:** The carrycot should only be fitted rearward facing.

Align the carrycot mounts with the chassis bracket **(1)**.

Push down until the carrycot is locked to the chassis **(2)**.

### 12

Removing the carrycot:

Lift up and hold the levers on the mounts on each side of the carrycot **(1)** and lift the carrycot away from the chassis **(2)**.

### 13

Hood:

Open: Pull the hood forward **(1)** until the hinge locks into place **(2)**.

### 14

Sun visor:

Fold out the sun visor **(1)** if required.

### 15

Viewing window:

Lift the window flap **(1)** to reveal the viewing window.

### 16

Carry position:

**(A)** On top of the hood: unfasten the zip **(1)** to reveal carry handle **(2)**.

**(B)** On side of carrycot.

### 17

Closing hood: Press down the hood release buttons on each side **(1)** and push the hood back **(2)**.

## 18

Apron:

Fitting: Disconnect the fabric fastener strips **(1)** on each side of the carrycot hood flap. Lay the apron over the footend of the carrycot **(2)**. Attach the apron popper **(3)** and fabric fastener strips **(4)** to each side of the carrycot. Re-connect the fabric fastener strips on hood **(5)**.

## 19

Mosquito net:

Fitting: Disconnect the fabric fastener strips **(1)** on each side of the carrycot hood flap.

**Tip:** Folding out the sun visor will make the fitting of mosquito net easier.

Lay the mosquito net over the footend of the carrycot **(2)**. Attach the mosquito net zip to the hood **(3)** and fabric fastener strips **(4)** to each side of the carrycot.

Re-connect the fabric fastener strips on hood **(5)**.

## 20

Storage: A storage pocket is located on the underside of the carrycot apron.

## 21

Raincover:

Fitting: Lay the raincover over the carrycot body **(1)**.

Front access zip: Open the zip unit **(2)** to access your child or carry handle.

## 22

Storage: A storage pocket is located on the underside of the carrycot base.

## 23

Carrycot harness:

Fitting: First, press the buckle release button **(1)** and pull the harness clip away **(2)** to release the retaining strap on each side of the harness. Then wrap the loop end of the retaining strap around the "U" bar on mounted on the carrycot **(3)** then and then pass the clip end through the loop to secure **(4)**.

Reconnect the retaining strap to both sides of the harness **(5)**.

## 24

Using harness:

First, disconnect the harness from retaining straps mounted on the carrycot **(1)** then unfasten the harness buckle **(2)**.

## 25

Fit the harness around the child and fasten the buckle at the back **(1)**.

Reconnect the harness to the retaining straps **(2)**.



## 26

Adjust Harness:

To adjust the harness, slide the 3 bar sliders **(1)** along the webbing to suitable length.

## 27

Backrest recline:

**Note:** The backrest recline should only be used in conjunction with the carrycot harness fitted.

To adjust the recline position, press in **(1)** and rotate **(2)** the adjustment knob to desired position **(3)**.

## 28

Liner removal:

If harness is fitted then release the harness by unfasten the retaining strap buckle on each side **(1)**.

Starting from backrest, remove mattress & mattress cover **(2)**.

Unfasten the liner retaining zips **(3)** and remove the liner **(4)**.

## Seat Unit

### 29

Fit:

**Note:** The seat unit can be fitted either forward or rearward facing positions.

### 30

Align the seat unit mounts with the chassis bracket **(1)**.

Push down on the mounts until the seat unit is locked to the chassis **(2)**.

### 31

Remove:

Lift and hold the levers on the mounts on each side of the seat unit **(1)** and lift the seat unit away from the chassis **(2)**.

### 32

Seat unit recline position:

**Note:** The seat unit can be adjusted to 4 different positions.

Lower: Lift the lever **(1)** and allow the seat unit backrest to lower **(2)**. Release buttons when the backrest is in desired position.

### 33

Raise: Lift the top of the seat unit backrest to the required angle **(1)** until it clicked into position.

## 34

Bumper bar:

Remove: Press down the bumper bar release button **(1)** on each side of the bumper bar and pull the bumper bar away from the mount **(2)**.

## 35

Fit: Slide the bumper bar **(1)** onto the mounting point on both sides of the seat unit until it is clicked into position **(2)**.

## 36

Harness:

Open: Press the buckle release button **(1)** and separate the harness clips **(2)**.

## 37

Close: Overlap the harness clips **(1)** and press them into the buckle **(2)**.

## 38

Shoulder strap position Adjustment:

Push the retainer clip through from rear of seat unit **(1)** and refit at suitable position **(2)**.

## 39

Shoulder strap length adjustment:

Slide the 3 bar slider **(1)** along the webbing to suitable length.

Waist strap length adjustment:

Hold the 3 bar slider **(2)** and adjust the webbing to suitable length.

## 40

Crotch strap position adjustment:

Locate the crotch strap retaining clip under the seat.

Unfasten the retaining clip **(1)** and slide the crotch strap off the clip **(2)**.

Move the crotch strap to the forward slot **(3)** and fasten the clip **(4)**.

## 41

Calf support:

Raise: Lift the calf support to the required angle **(1)** until it clicked into position.

## 42

Lower: Press down the calf support release buttons on each side of the calf support **(1)** and lower the calf support **(2)**. Release buttons when the calf support at required position.

## 43

Hood:

Open: Pull the hood forward **(1)** until the hood is fully open **(2)**.

## 44

Sun visor:

Fold out the sun visor **(1)** if required.

## 45

Viewing window:

Lift the window flap **(1)** to reveal the viewing window.

## 46

Remove:

Unfasten the zip **(1)** to disconnect the hood fabric from seat unit fabric. Press down the hood release buttons **(2)** on each side of the hood hinge and slide the hood hinge off the mount **(3)**.

## 47

Front of footmuff removal:

Undo the zip on each side **(1)** then remove the front of footmuff.

## 48

Seat cover removal:

Remove the hood. **46**

Remove the seat from the chassis. **31**

Undo the seat liner fabric fasteners at the top of the backrest **(1)**.

Undo the fabric fastener under the seat **(2)**.

Unfasten the zips around the backrest **(3)**.

Unfasten the zip around the footrest **(4)** and remove the panel from inside the footrest fabric **(5)**.

## 49

Push the shoulder strap clips through the backrest. **38**

Remove the crotch strap. **40**

Unfasten the waist strap retaining clips **(1)** then remove the harness from the seat.

Remove the seat liner from the seat.

Undo the fabric fastener around the base of the backrest **(2)**.

Unfasten the straps under the seat **(3 & 4)**.

The cover can now be removed from the seat unit.

## 50

Raincover:

Fitting: Lay the raincover over the seat unit **(1)**.

Front access zip: Open the zip unit **(2)** to access your child.

## 51

Storage:

A storage pocket is located on the Rear of the seat unit **(1)**.

## Child Car Seat

### 52

**Note:** The car seat adaptor are handed.

### 53

Fitting car seat adaptor to chassis:

Align the car seat adaptor to the chassis mount **(1)**. Slide the adaptor onto the chassis mount until it locks in place **(2)**.

### 54

Fitting child car seat on adaptor:

**Note:** The child car seat should only be used rearward (parent) facing.

Align the car seat attachment points with the mounted car seat adaptors **(1)**. Slide the car seat onto the car seat adaptors until it locks in place **(2)**.

### 55

Removing child car seat from adaptor:

Lift the release lever **(1)** at the rear of the child car seat and lift the child car seat away from the adaptor **(2)**.

### 56

Removing child car seat adaptor from chassis:

Lift up and hold the lever on the adaptor **(1)** and pull the adaptors away from the chassis **(2)**.

### 57

Parasol:

Fitting: First, turn the tension knob anti-clockwise **(1)** to open up the mounting clamp **(2)**.

Fit the clamp over the chassis tubing **(3)** and secure by turning the tension knob clockwise **(4)**.

## 58

Open: Push the slider **(1)** toward the top of the parasol until it clicked into position **(2)**.

Close: Press the release tab **(3)** to release the slider and pull the slider towards the hinge **(4)**.

## 59

Parasol position adjustment:

Press down the release button **(1)** on the parasol hinge and adjust the parasol position **(2)**.

Release button when the parasol is in desired position.

## 60

Changing bag (style varies):

A changing bag is provided with a max load limit of 2 kg, evenly distributed, while attached to attachment point on the chassis handle.

Attach the changing bag attachment strap to the attachment point **(1)** on each side of the chassis handle.

## 61

Pump:

**Note:** The recommended air pressure for the wheel tyre is 2.4 Bar / 35 PSI.

Using the pump:

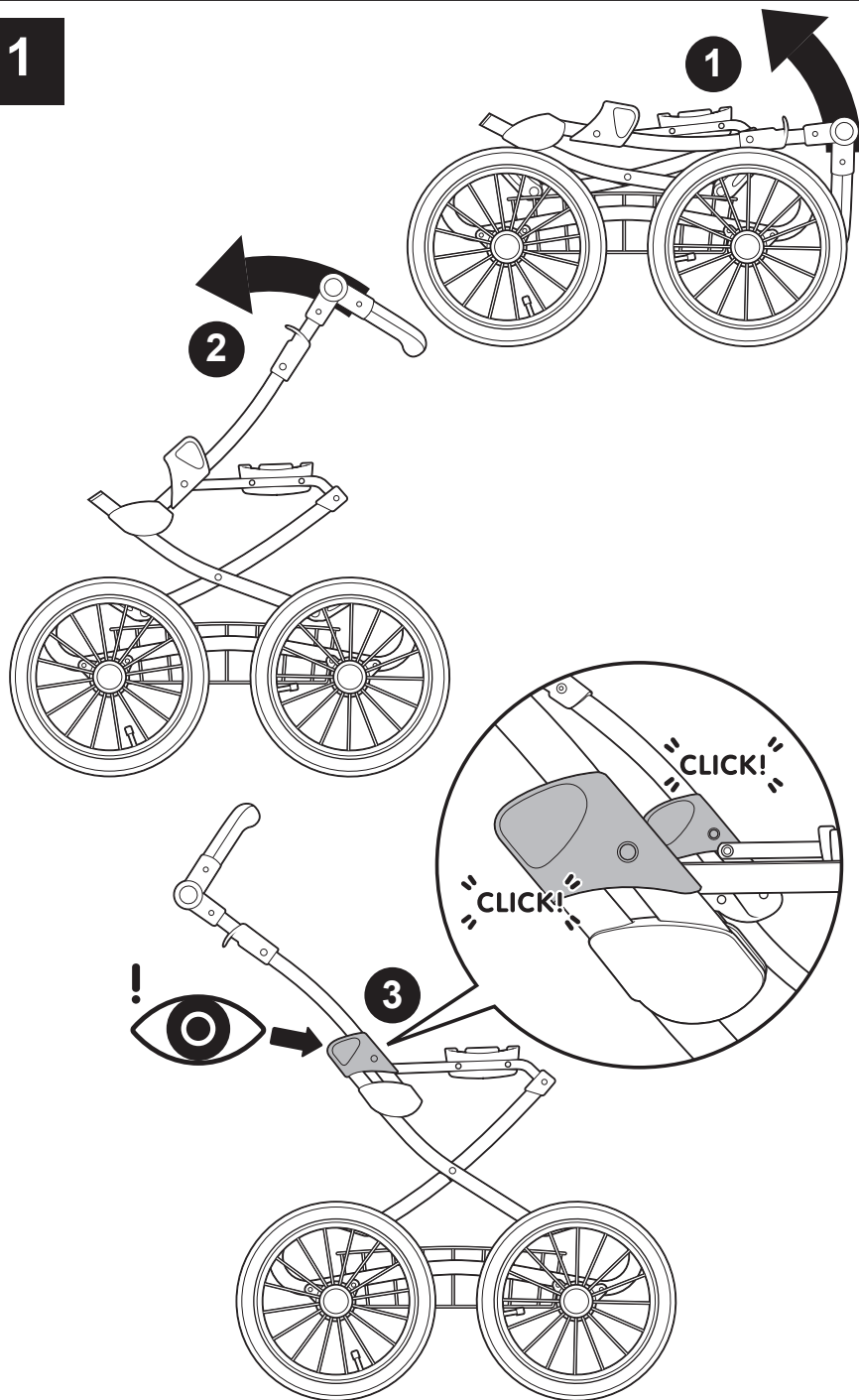
Unscrew the value cap from tyre value **(1)**.

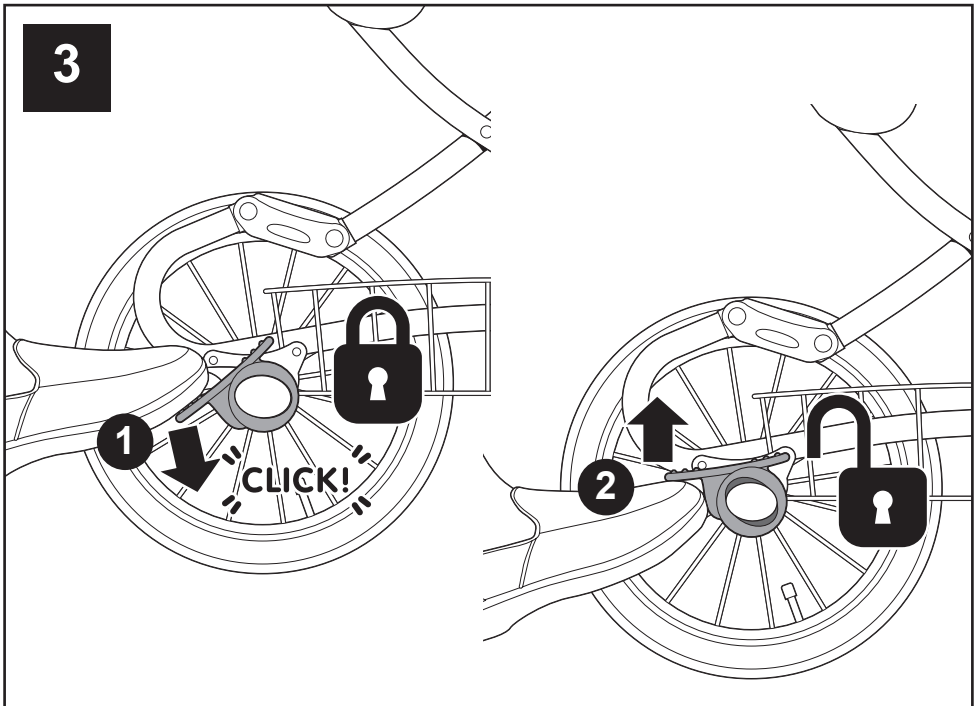
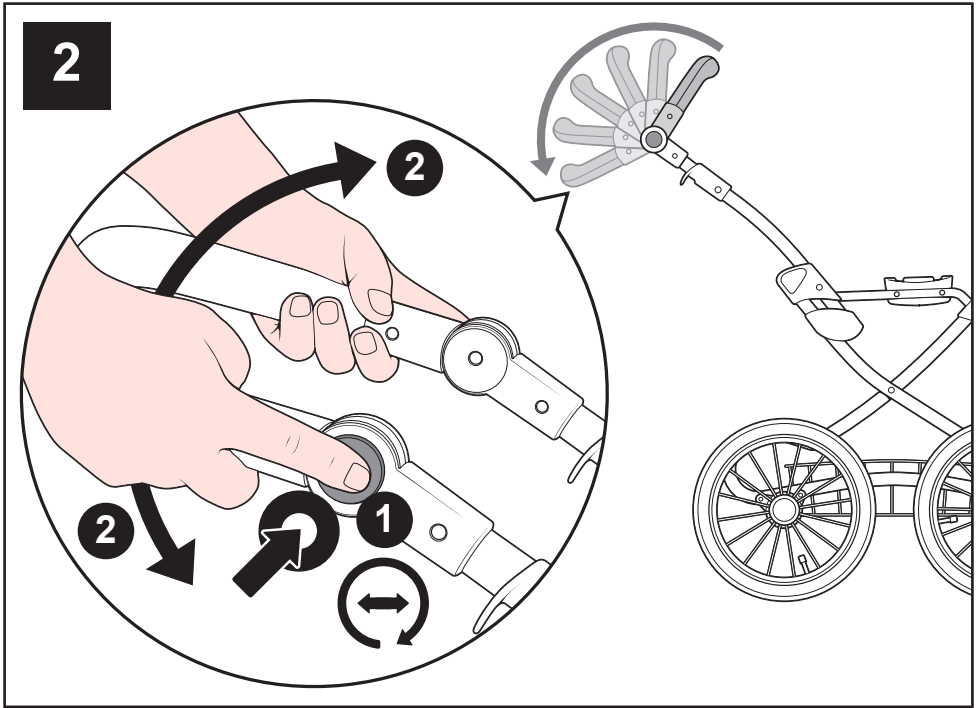
Lift the lever **(2)** on pump air outlet and fit the air outlet to the value **(3)**. Press down on the lever to secure the value **(4)**.

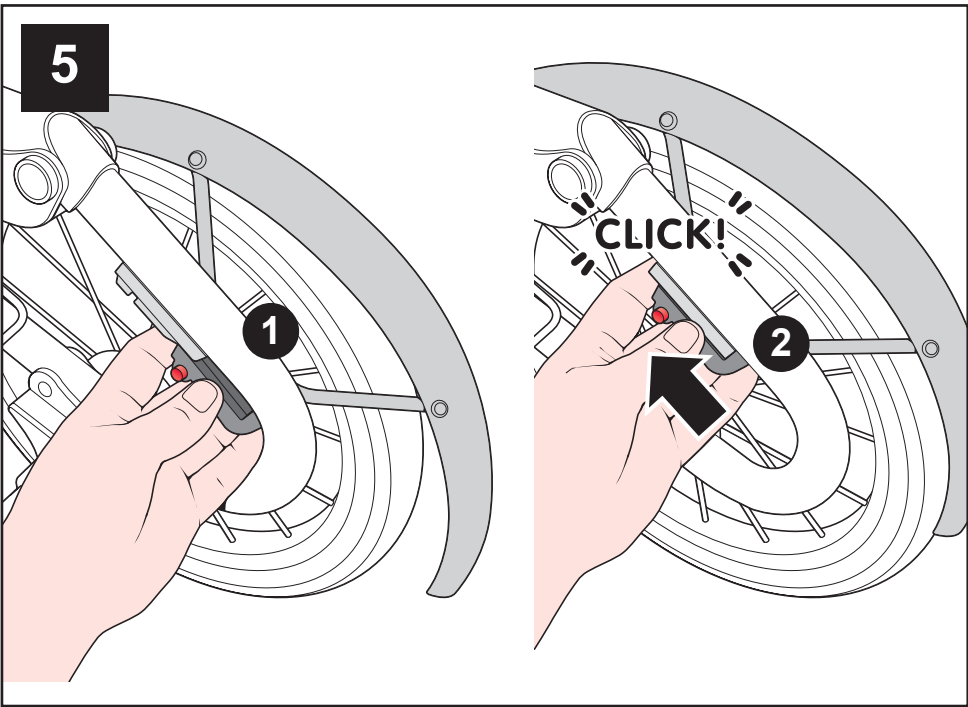
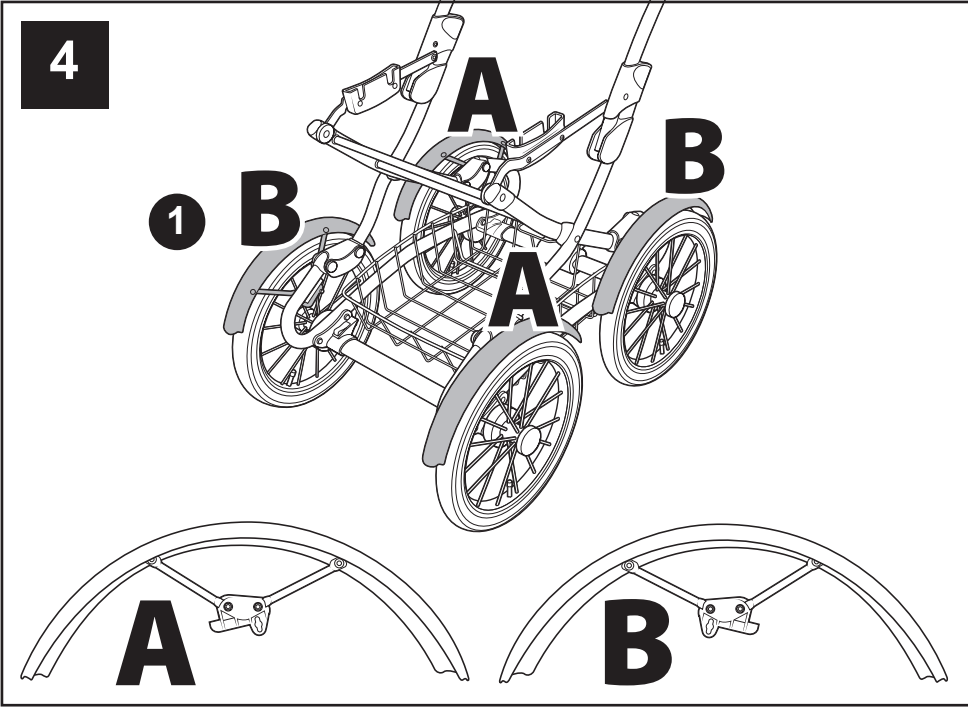
Pump up the tyre to recommended air pressure **(5)**.

Release the pump from the valve **(6)** and replace the value cap **(7)**.

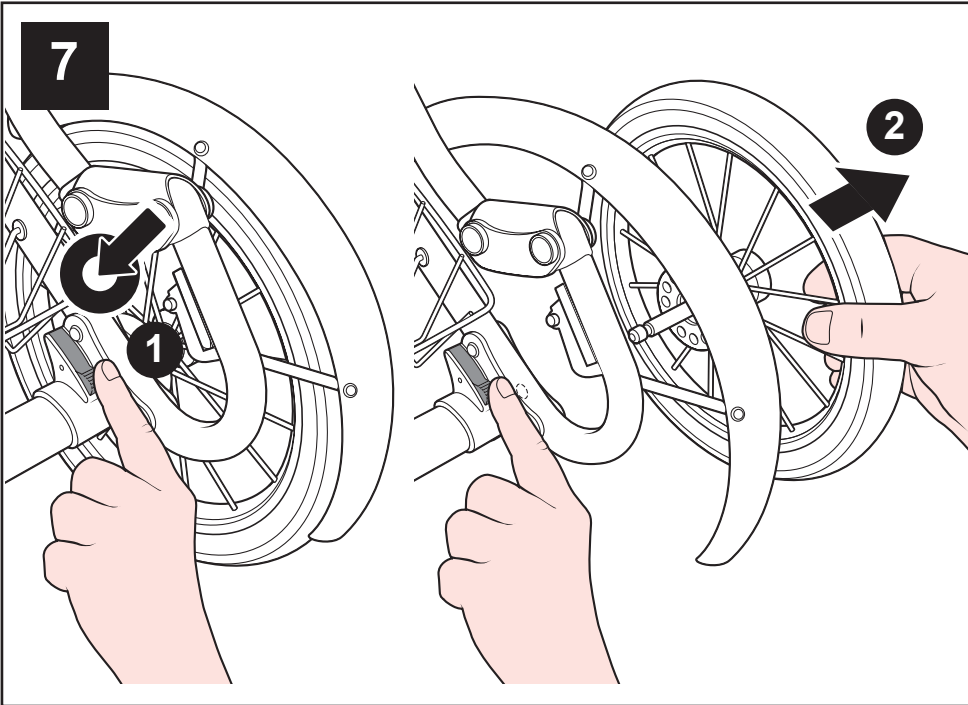
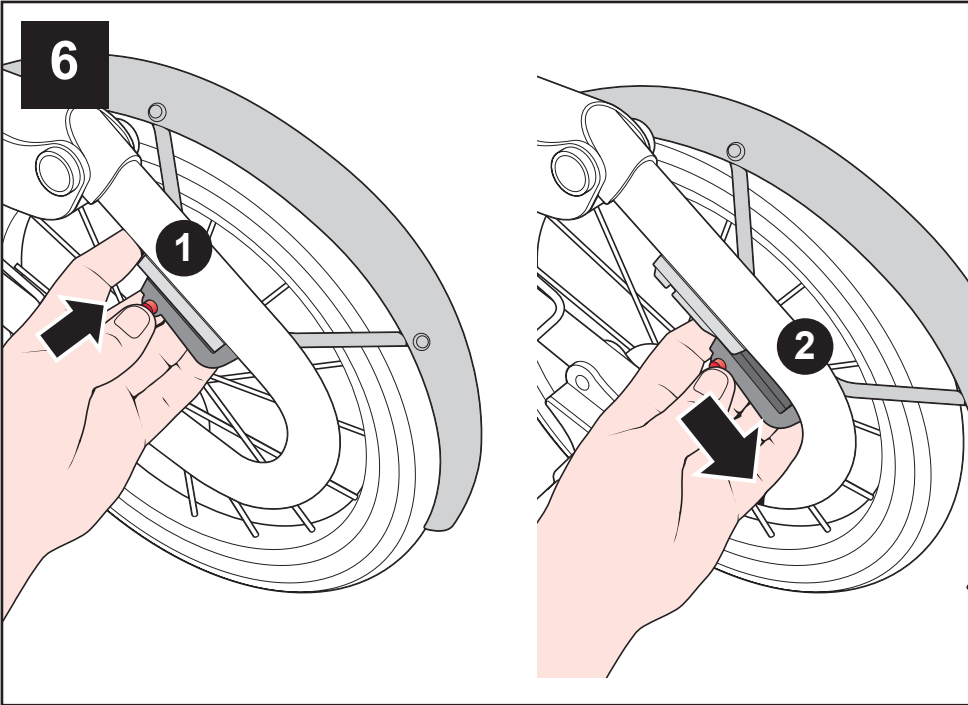
1

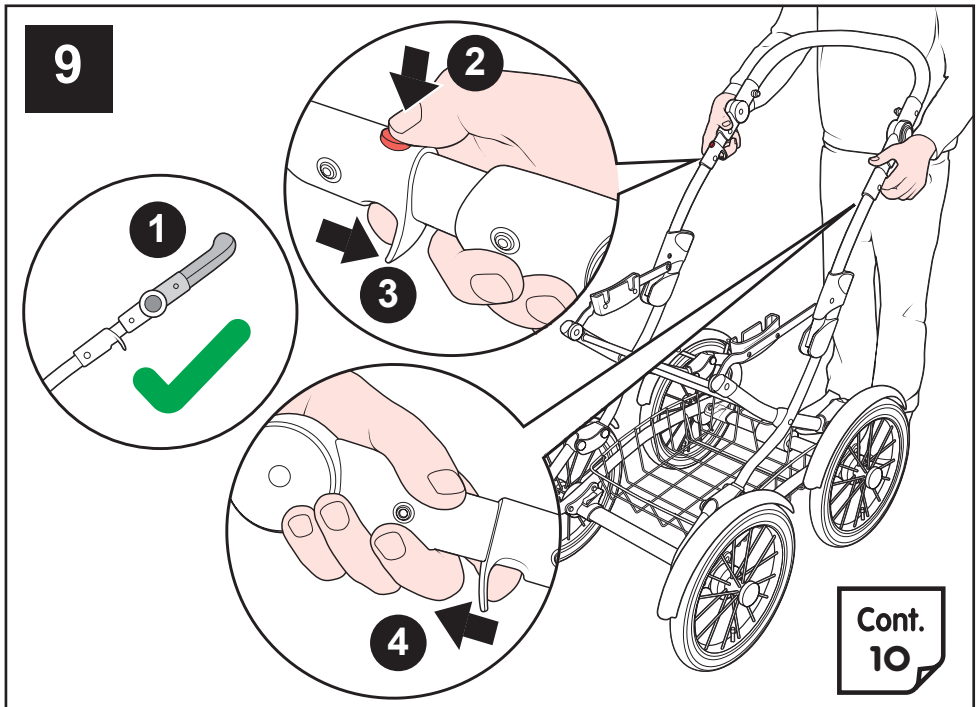
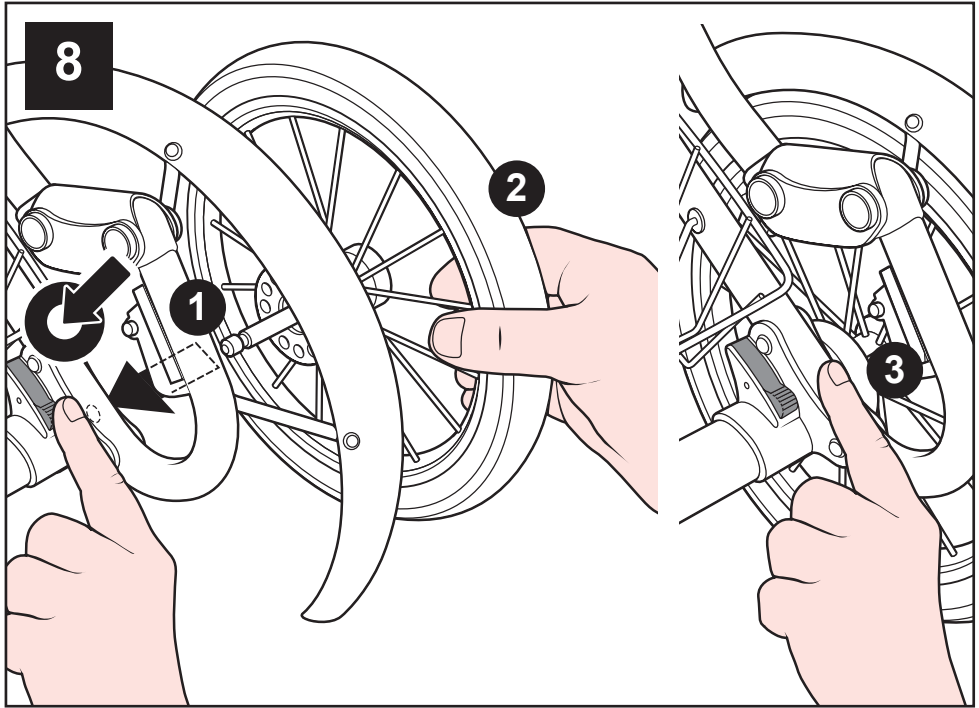


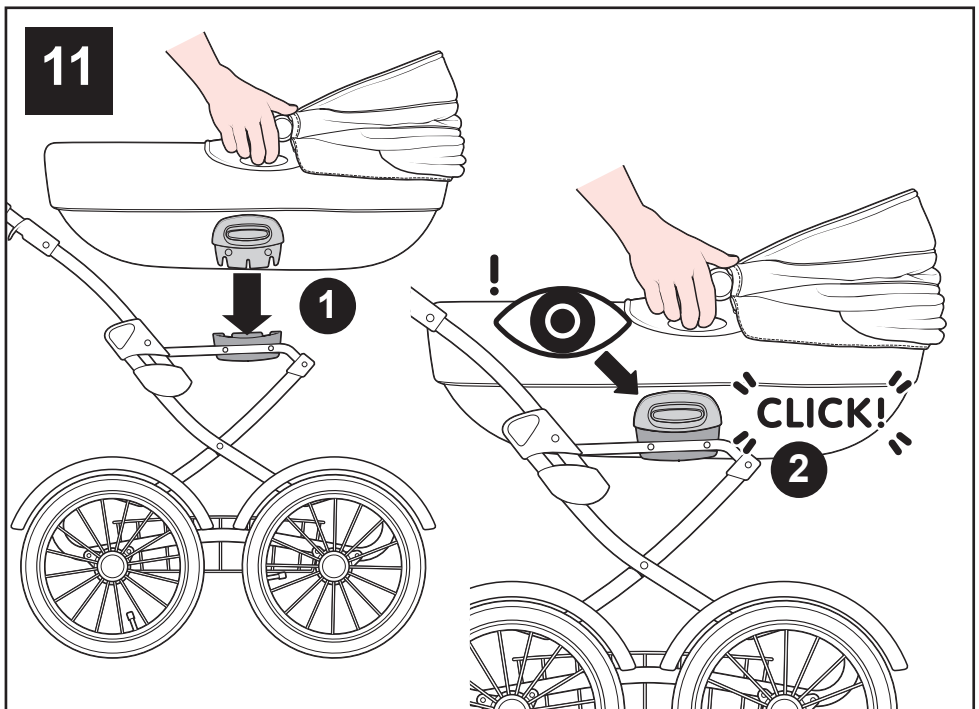
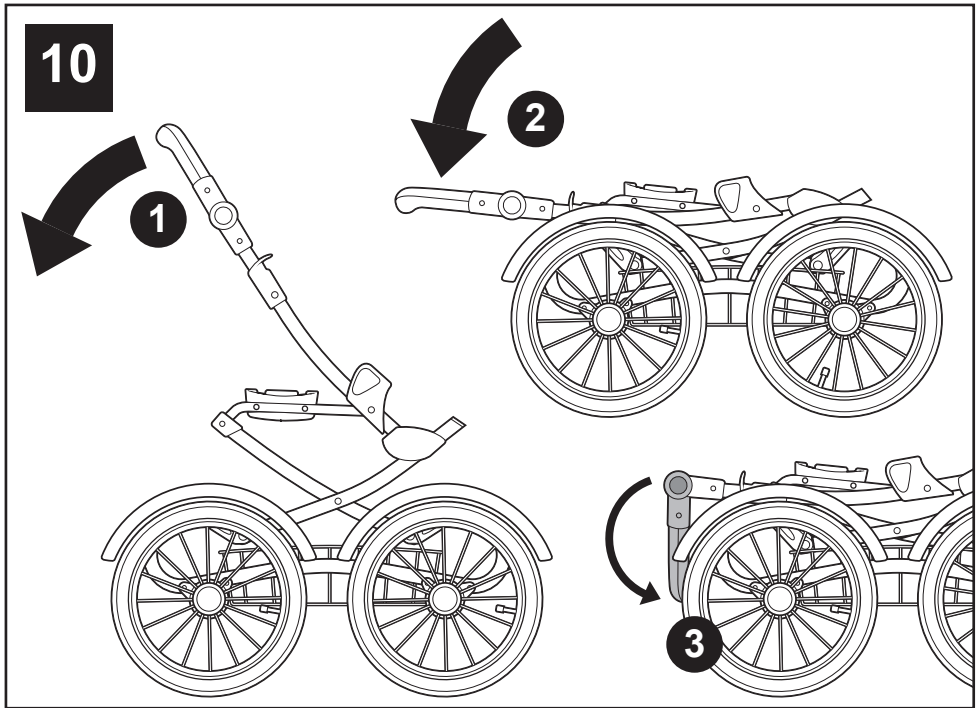


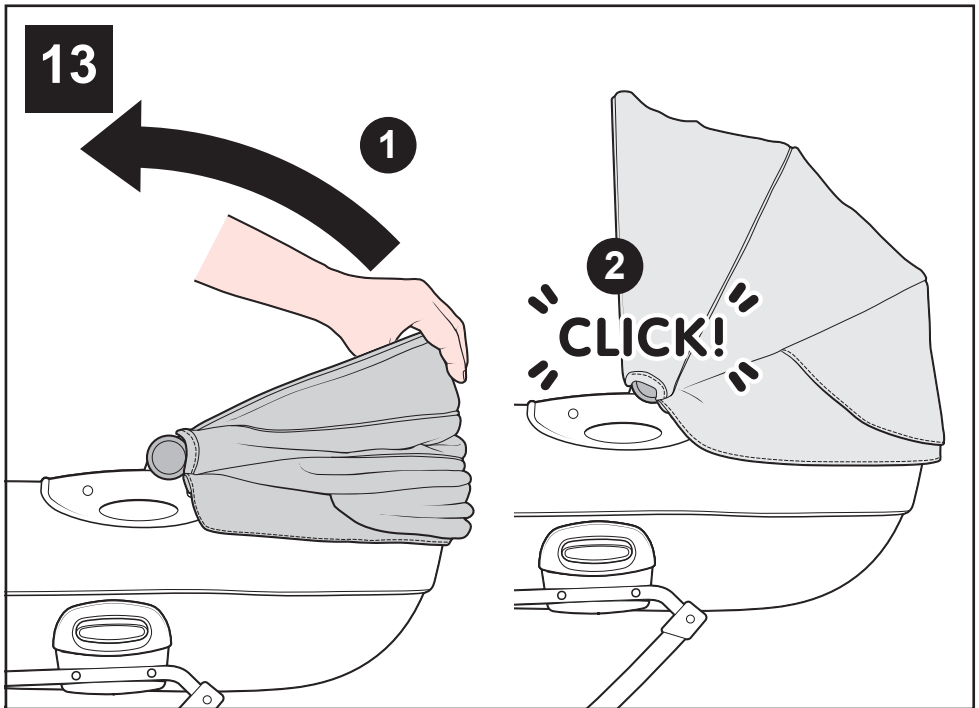
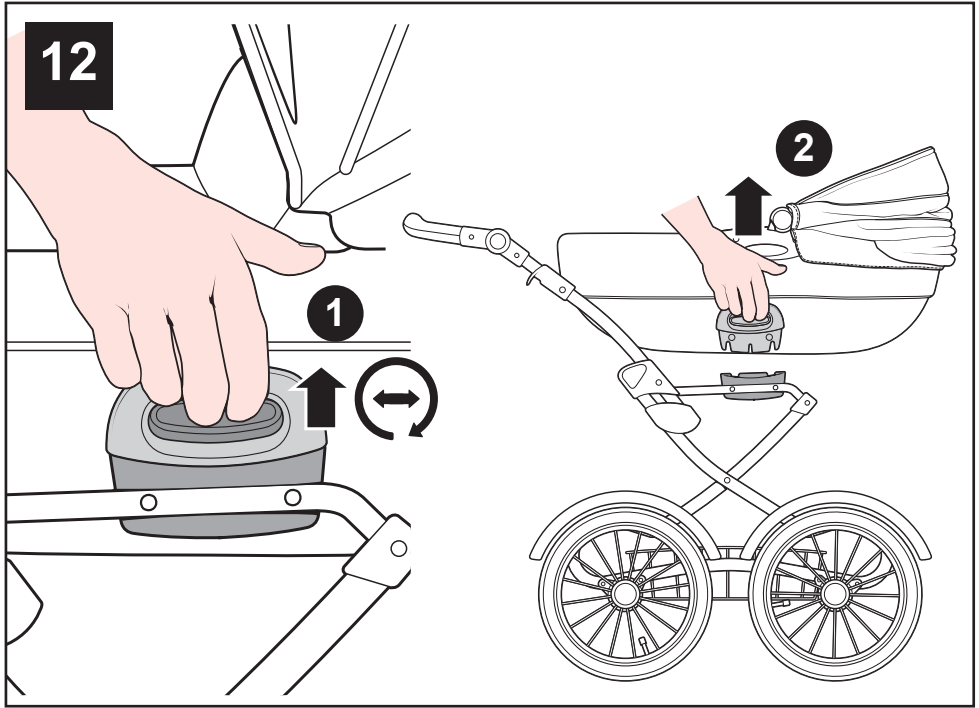


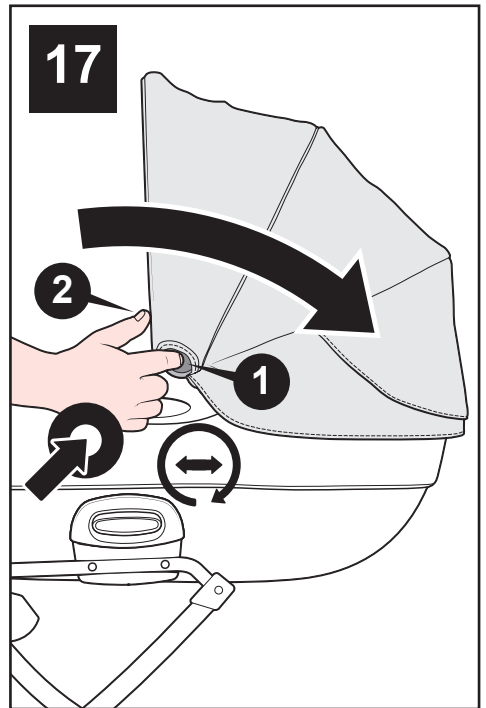
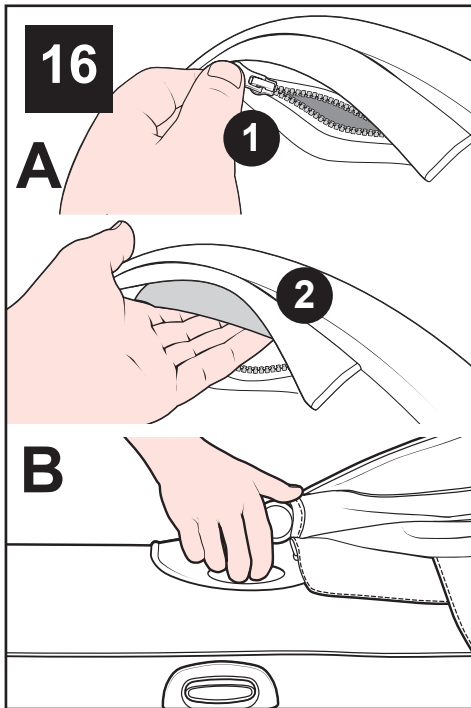
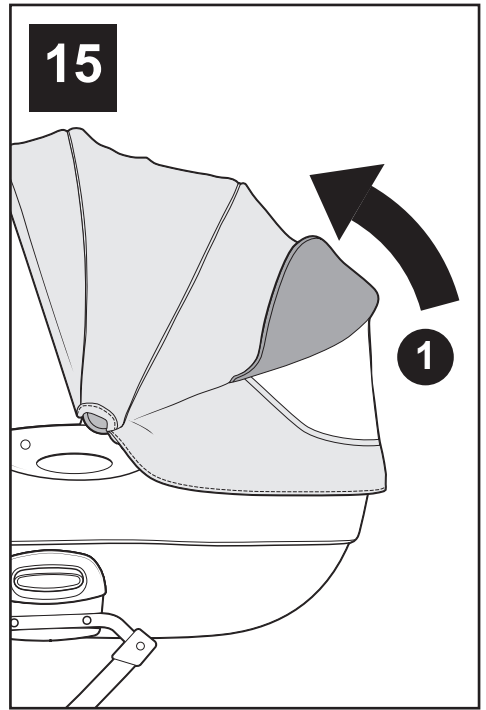
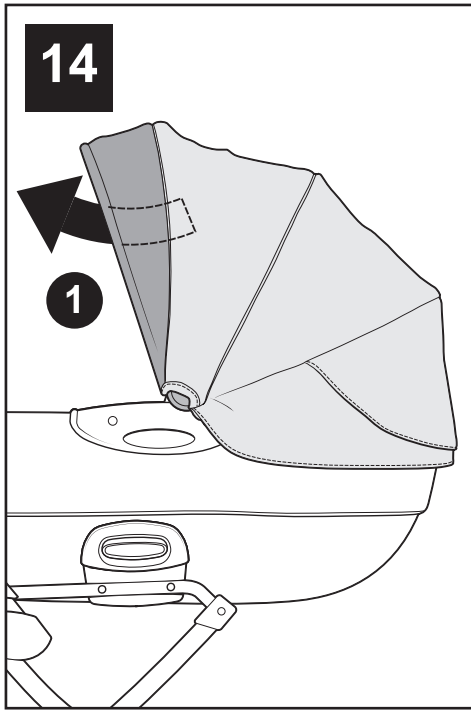




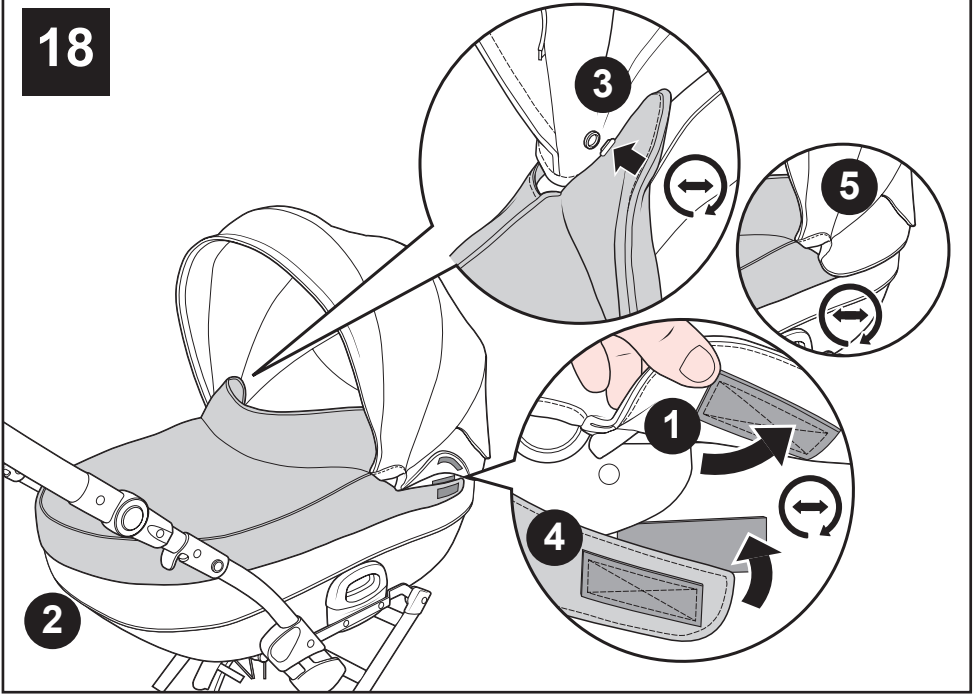




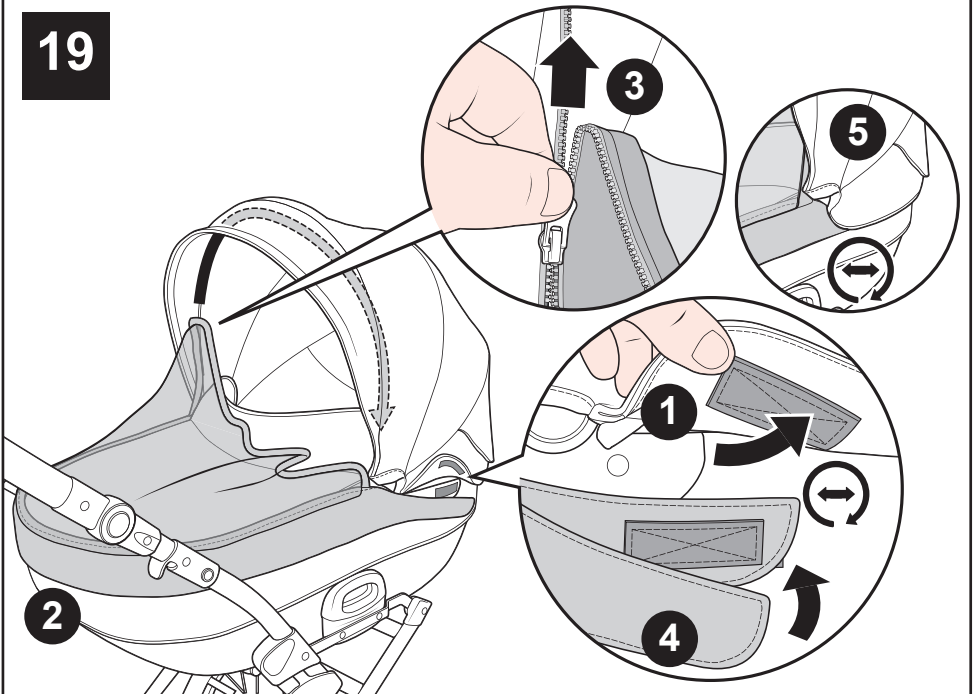




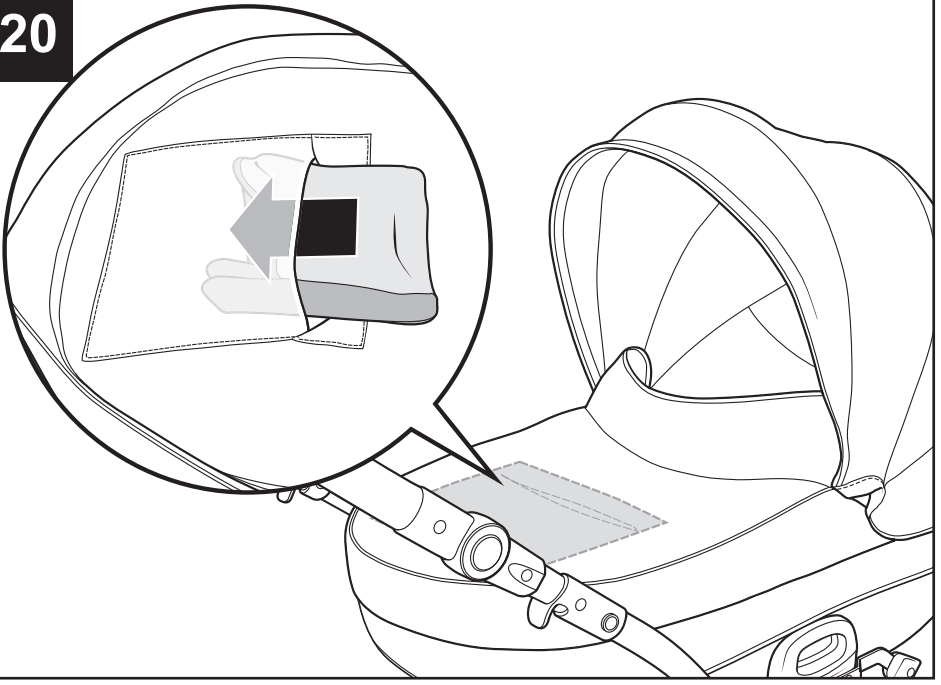
18



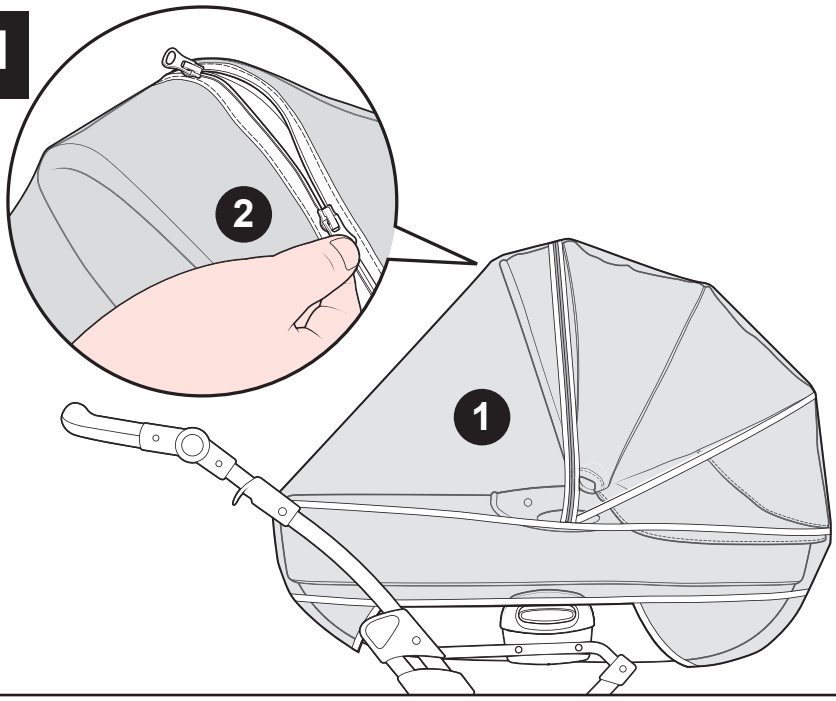
19



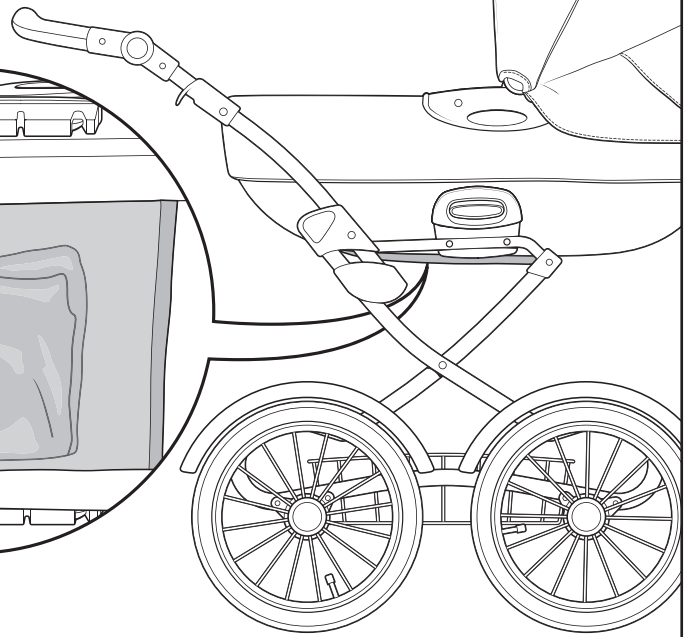
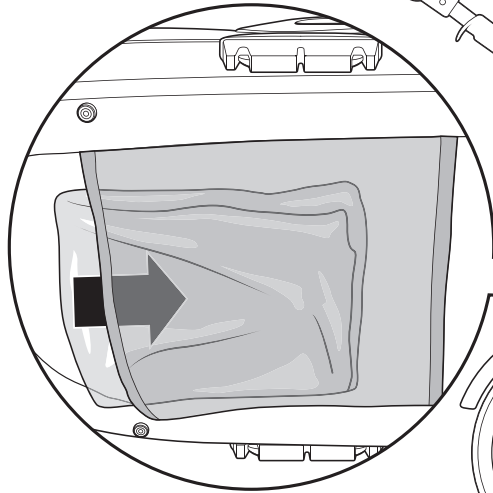
20



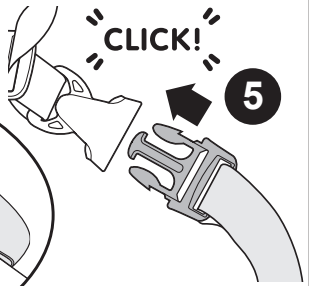
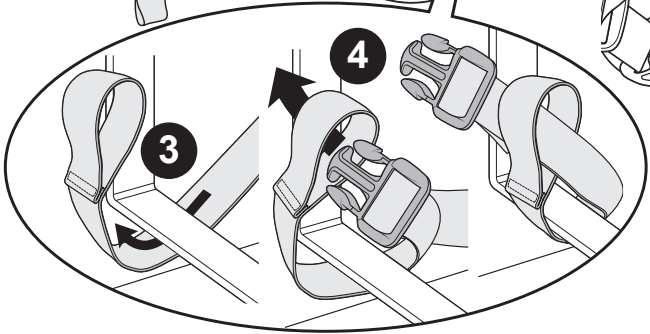
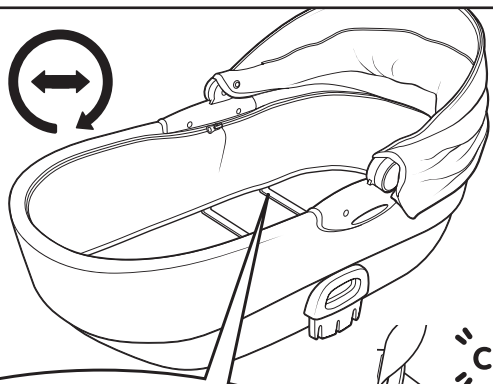
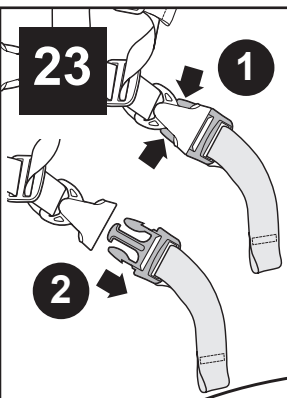
21



22

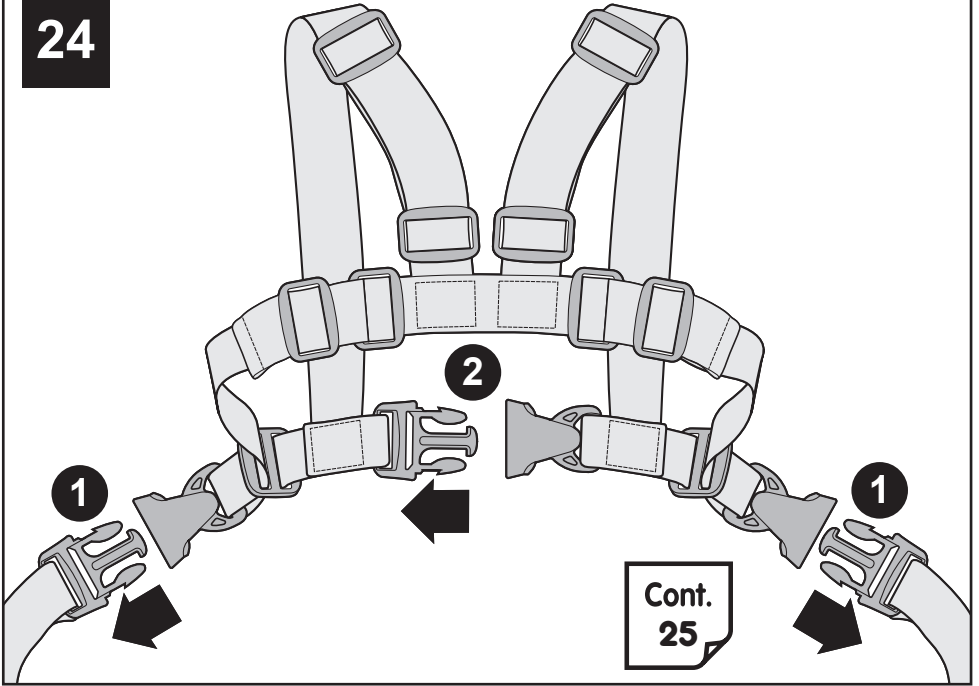


23

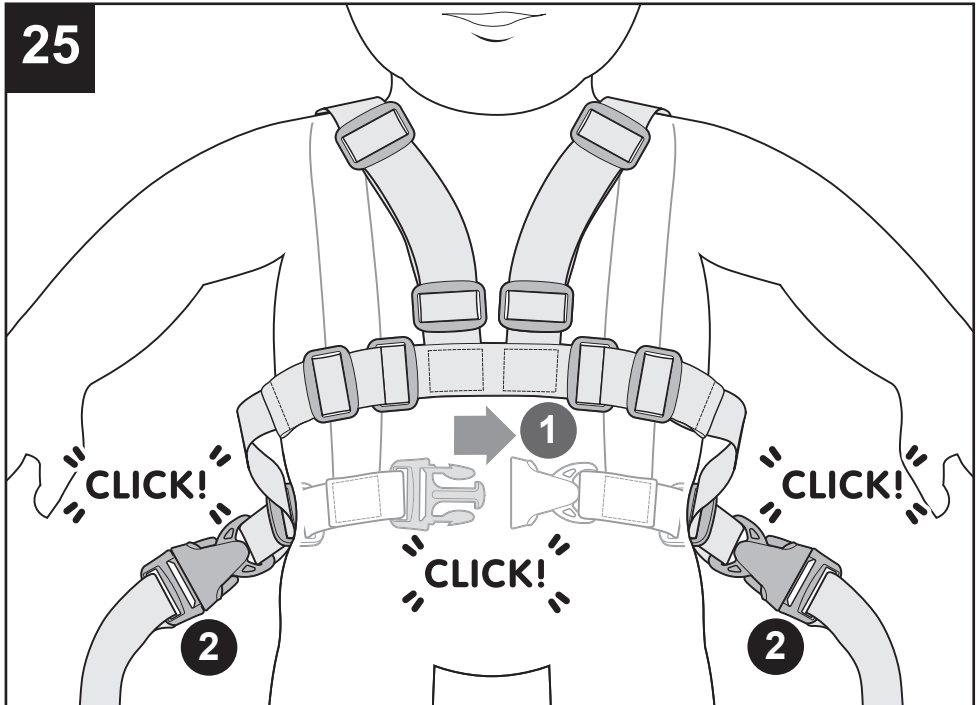




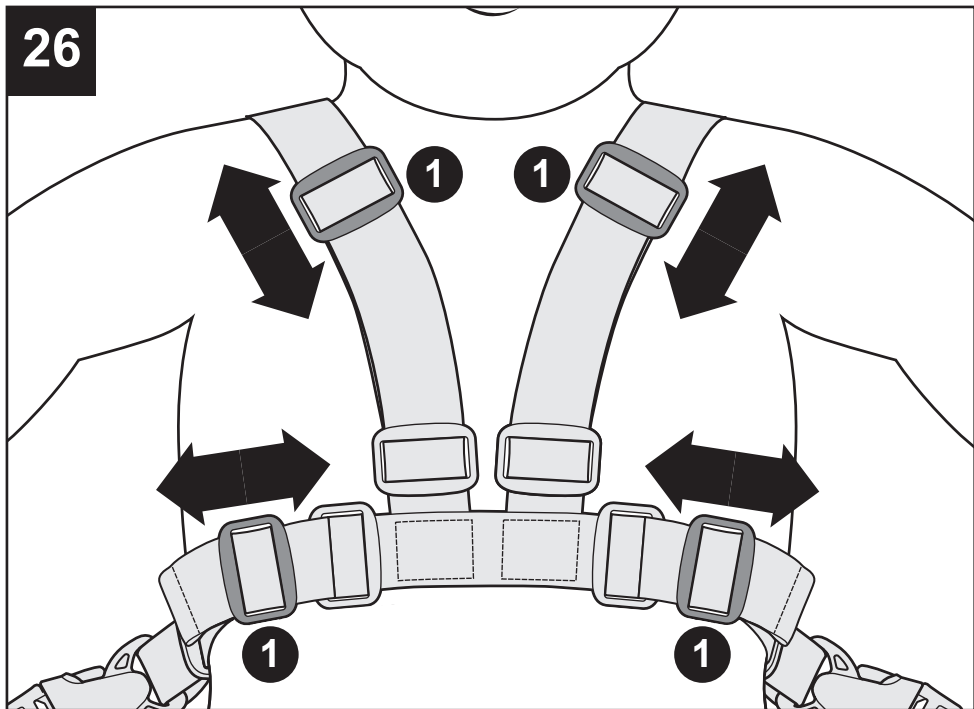
24



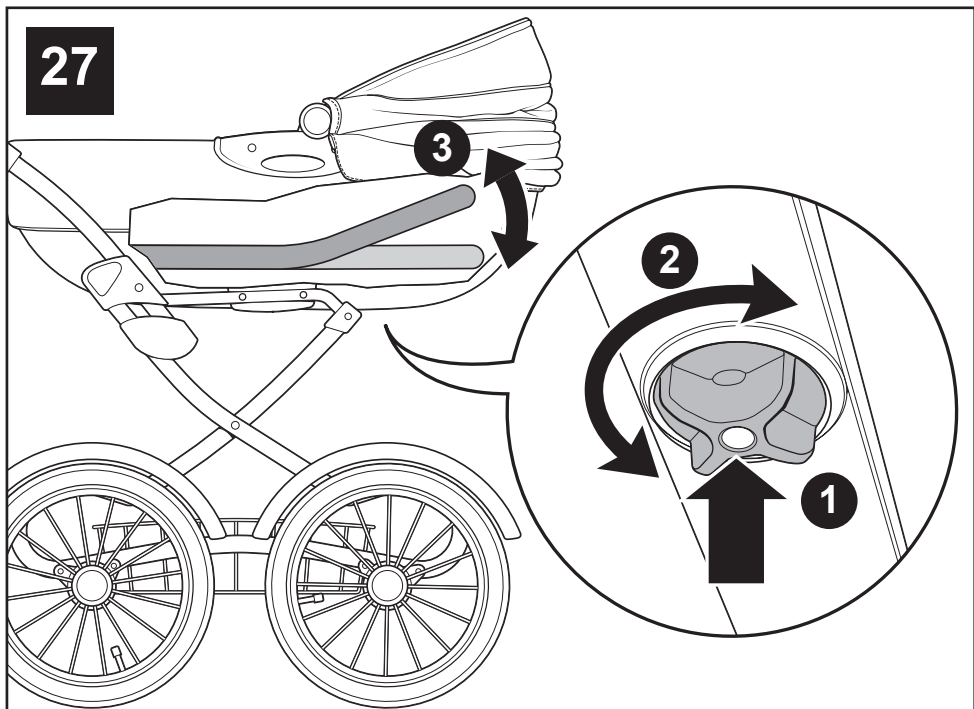
25



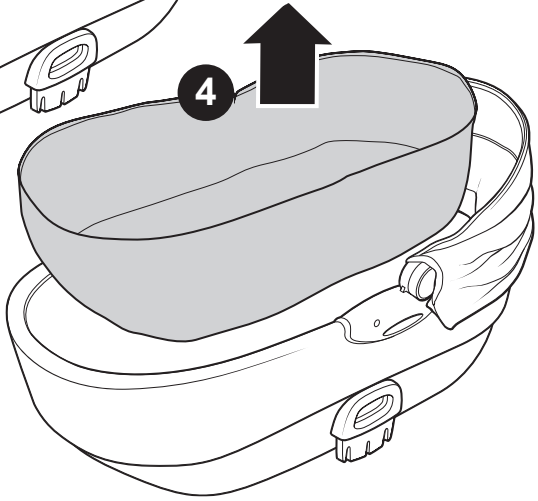
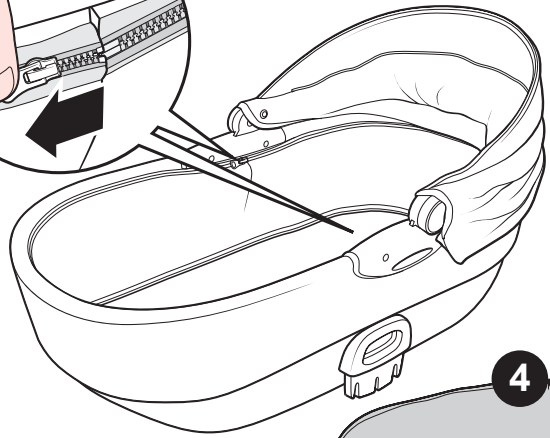
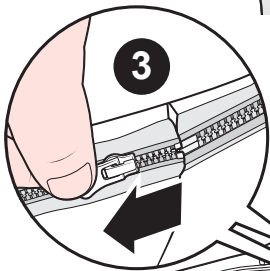
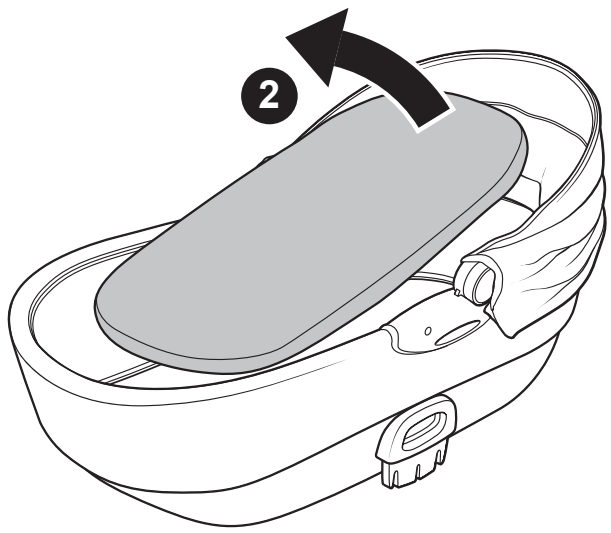
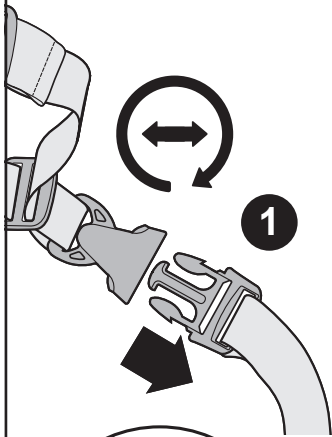
26



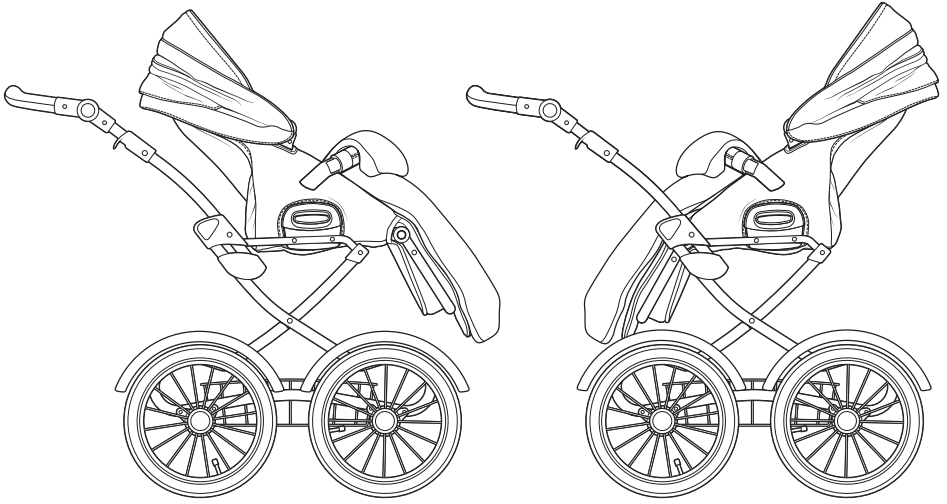
27



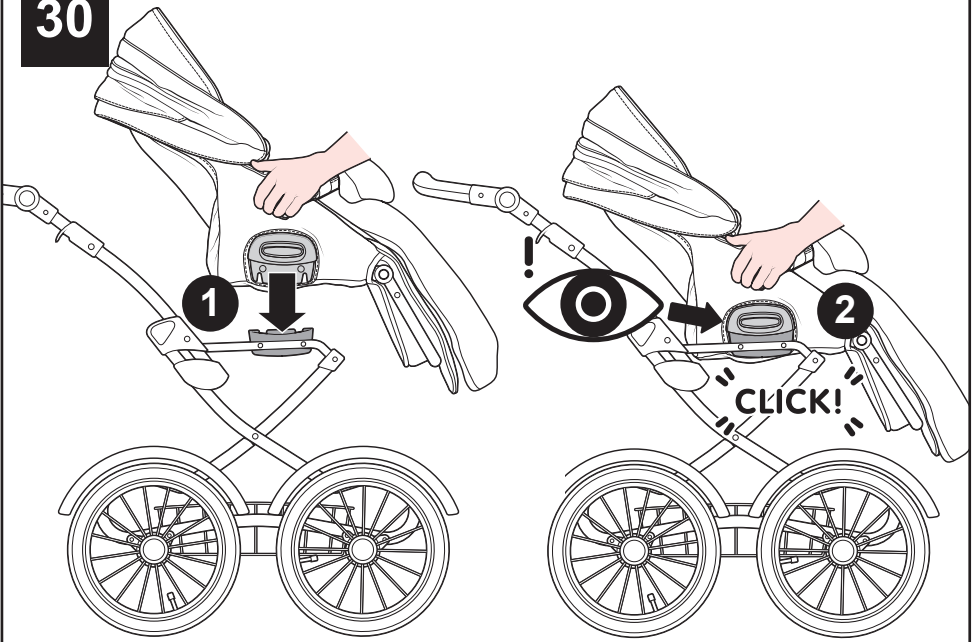
28

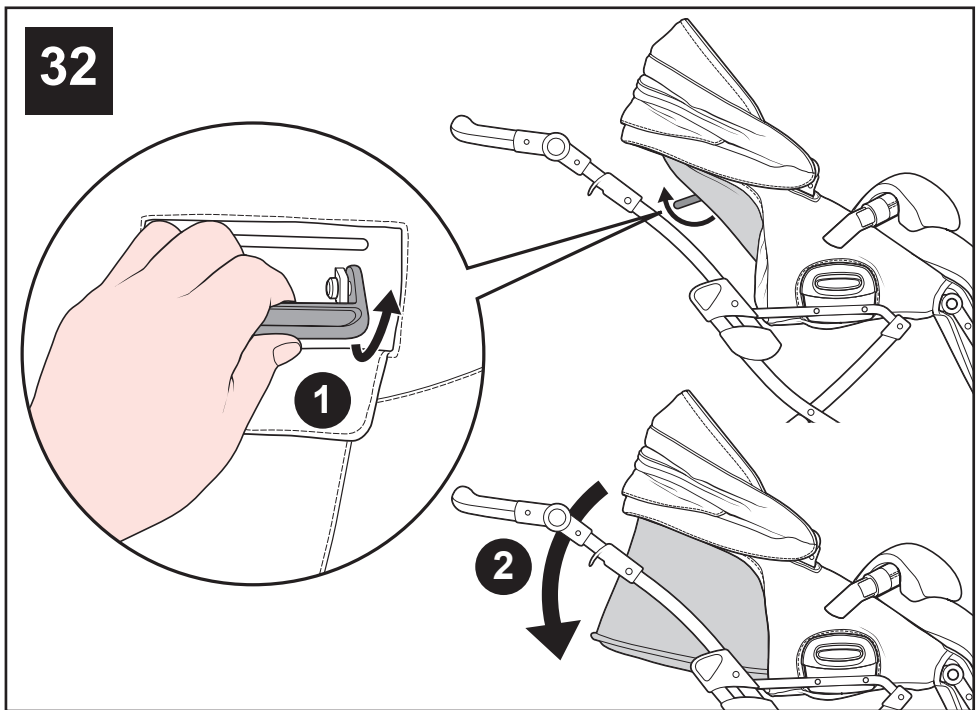
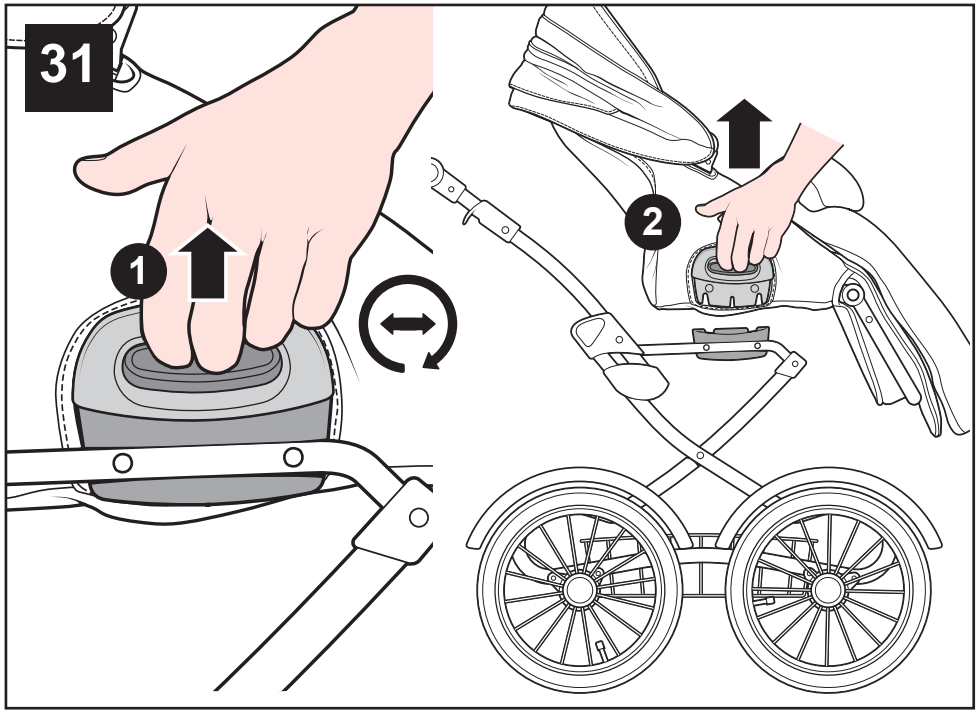


29

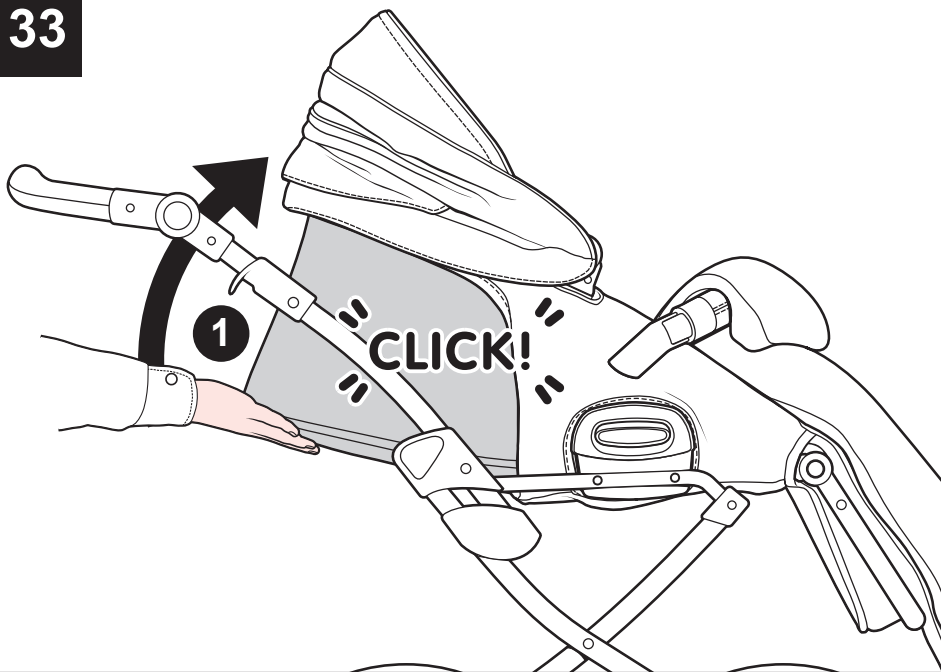


30

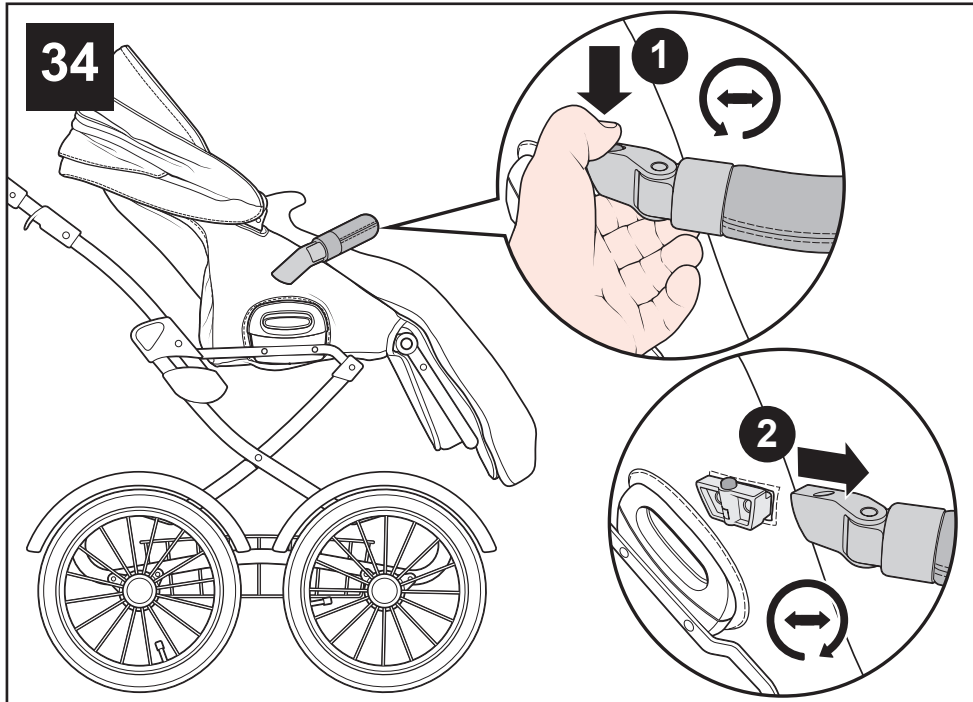


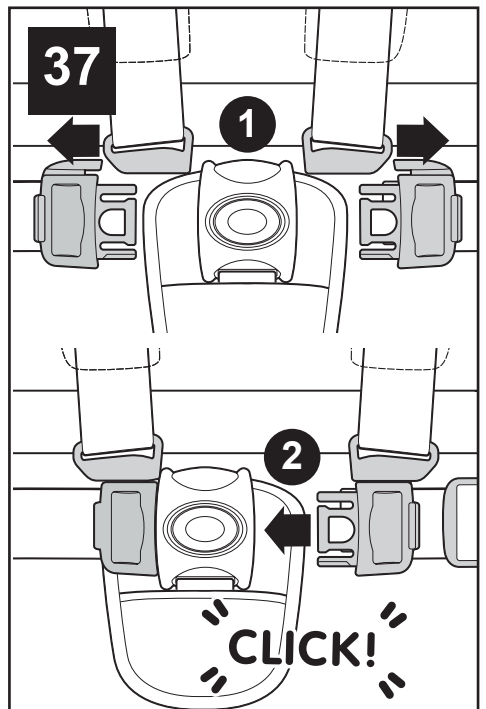
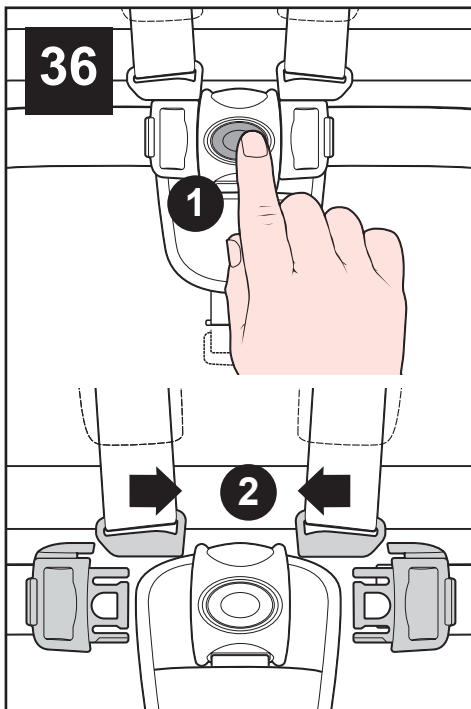
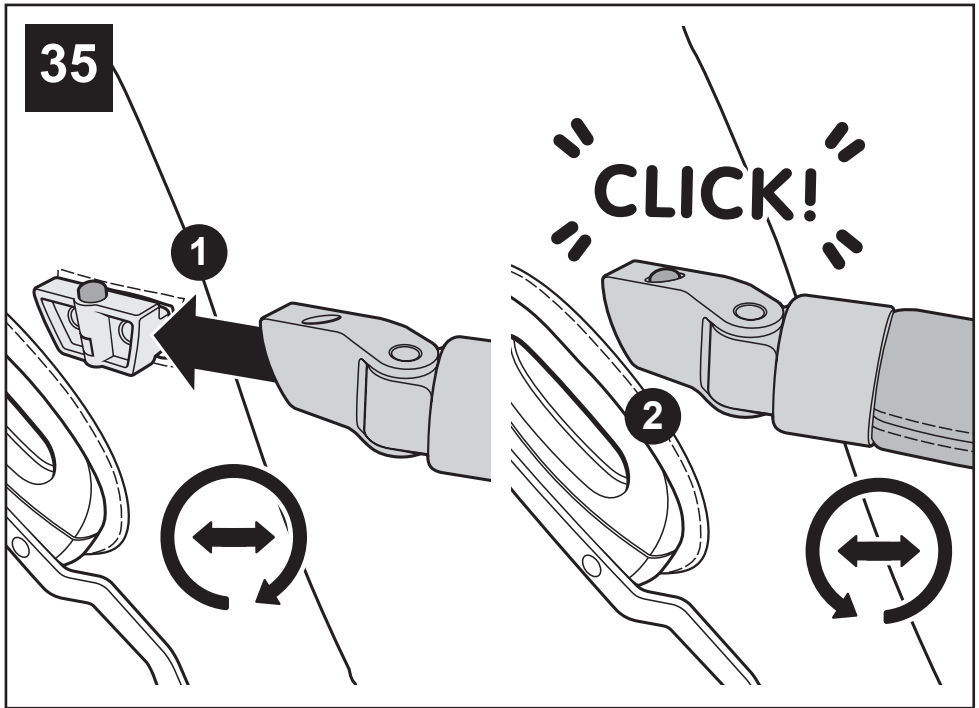


33

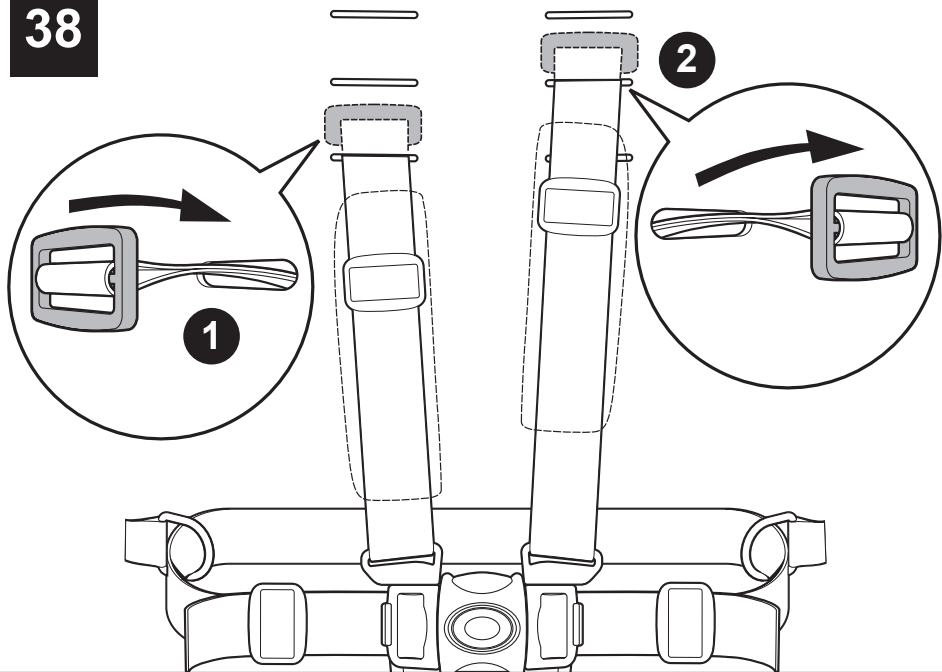


34

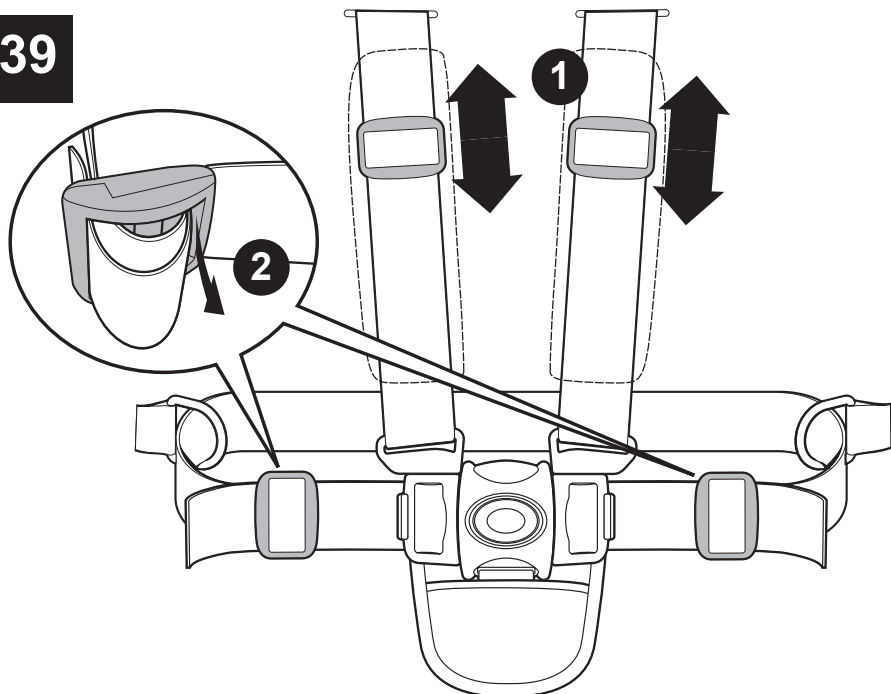




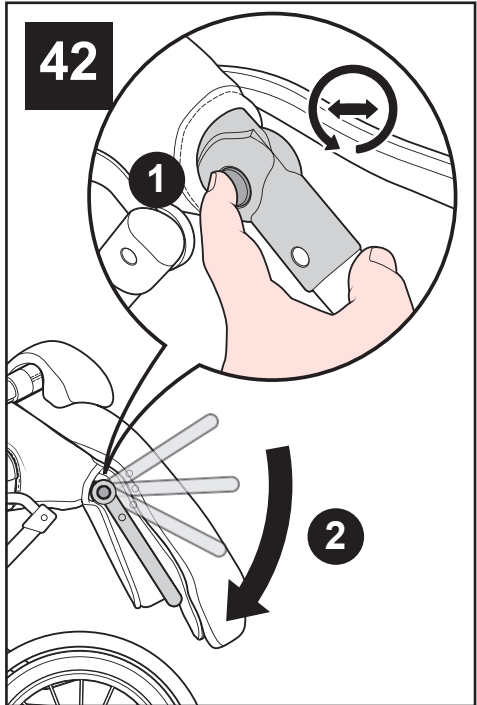
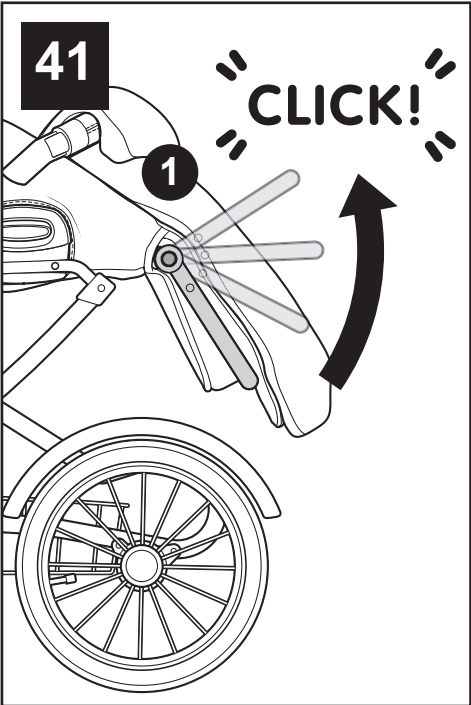
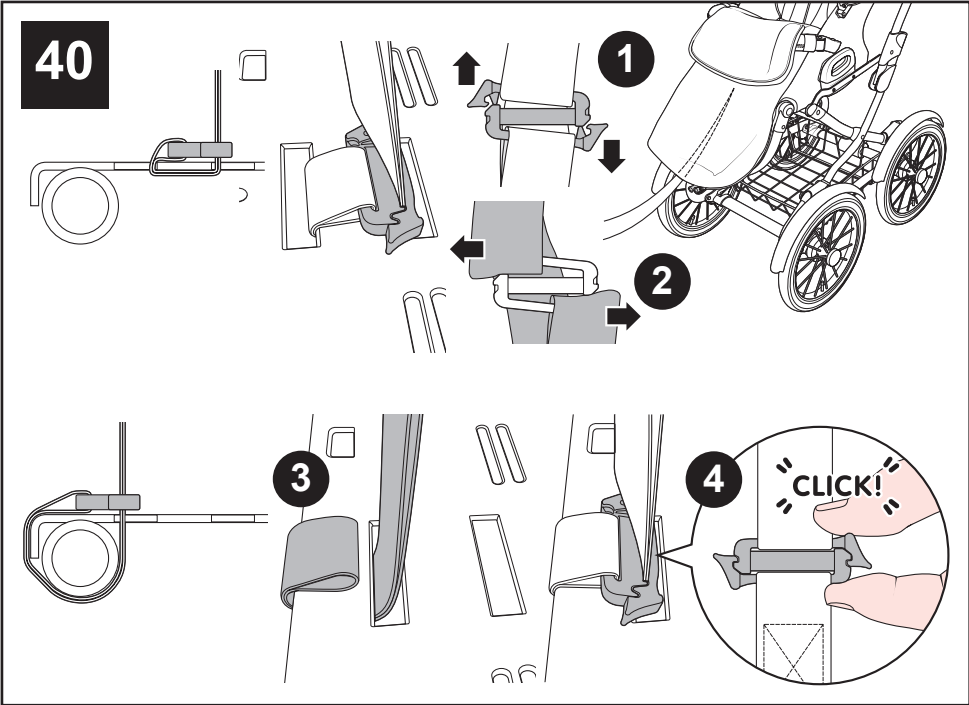
38

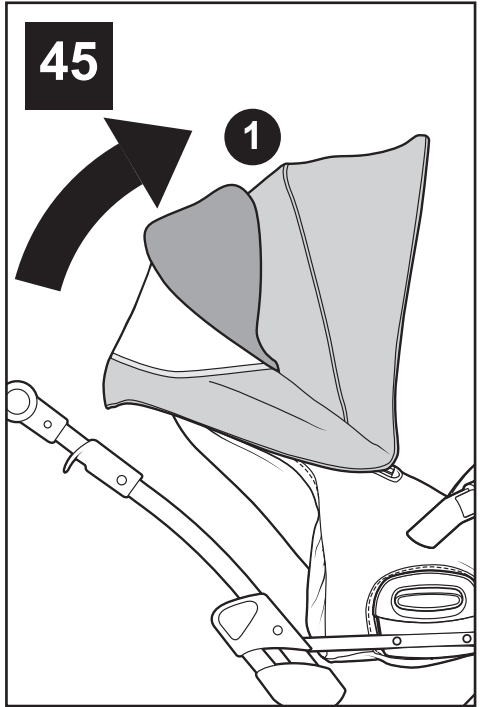
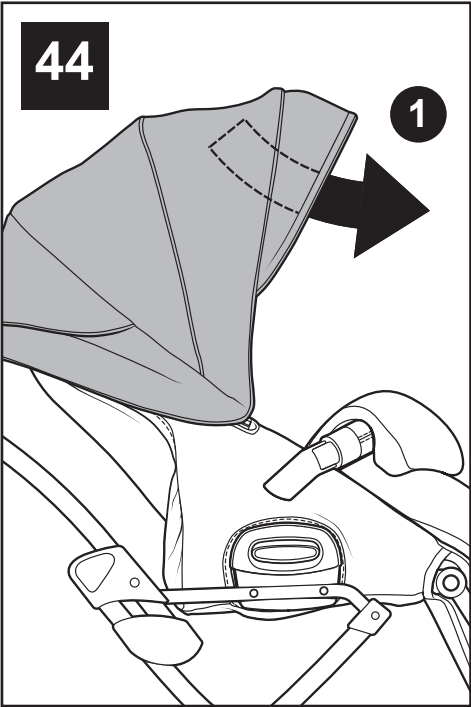
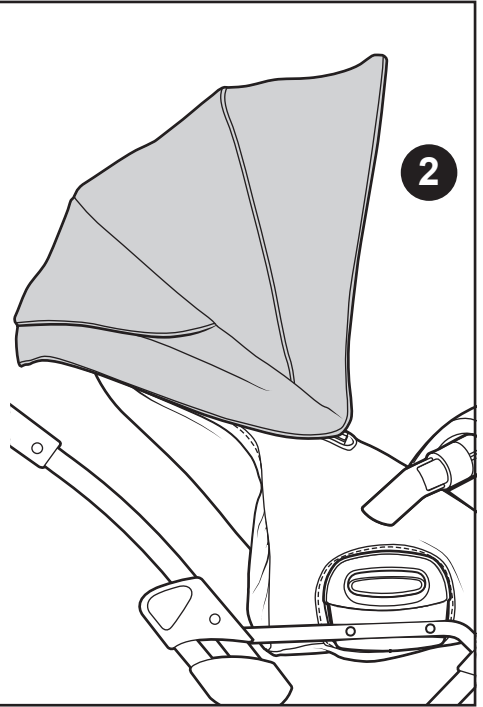
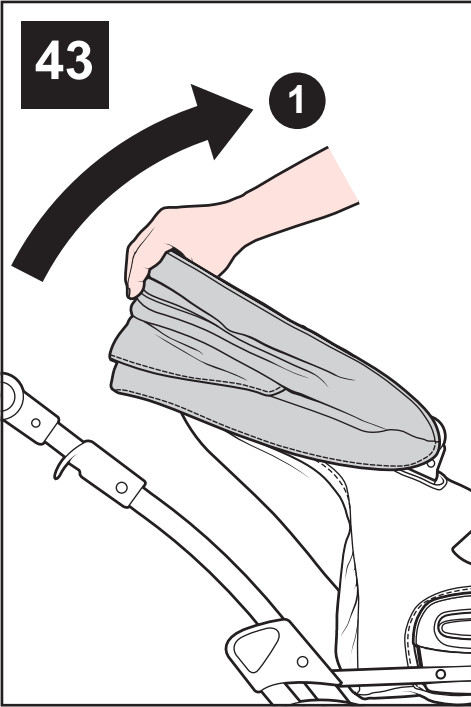


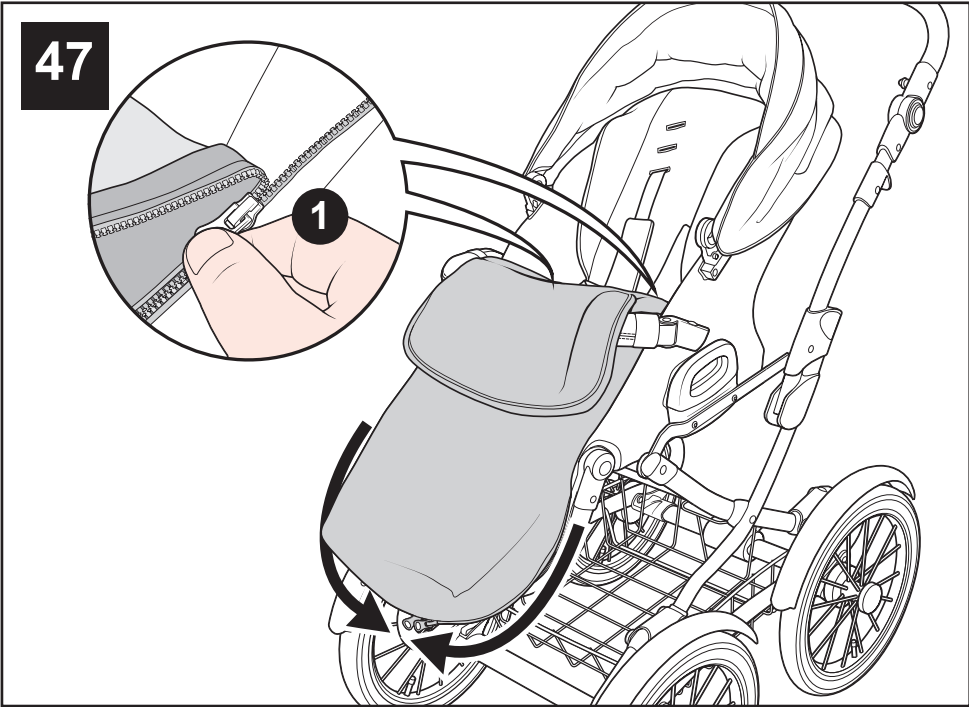
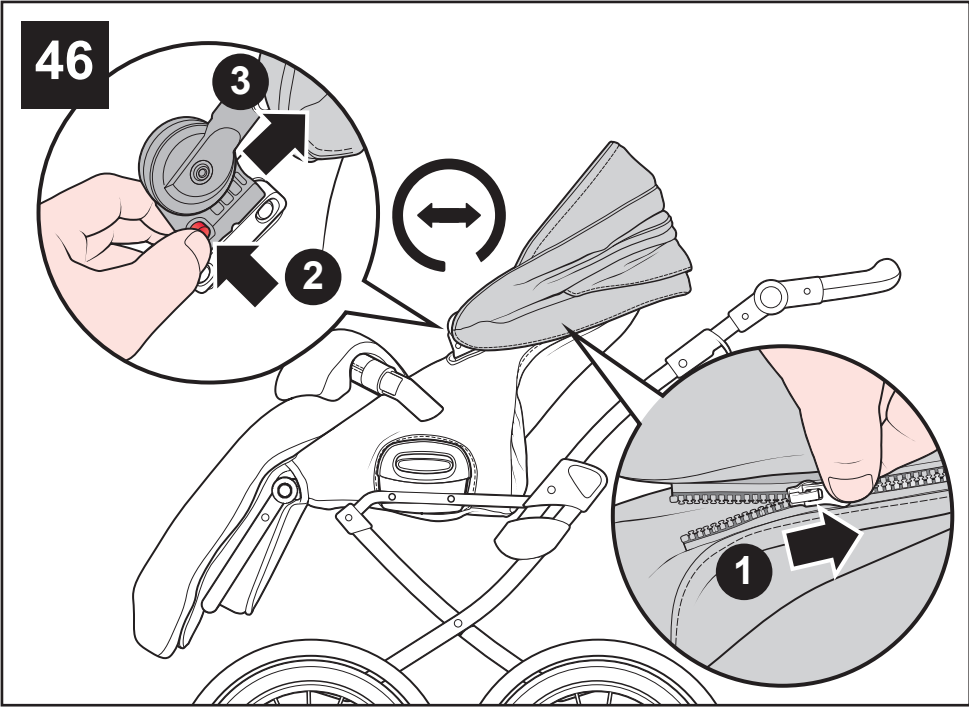
39

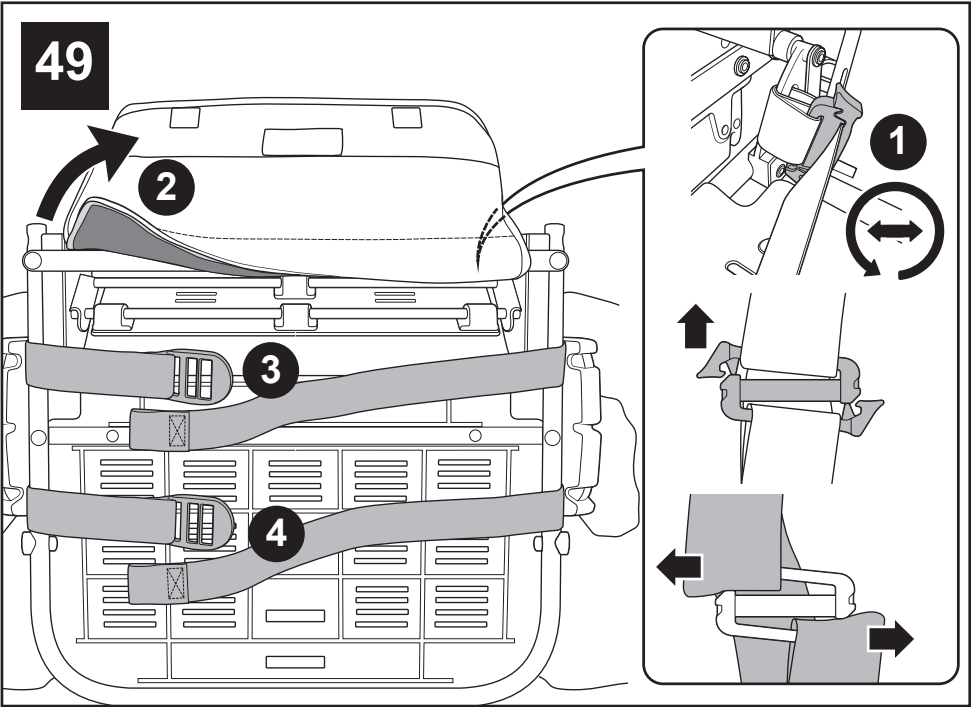
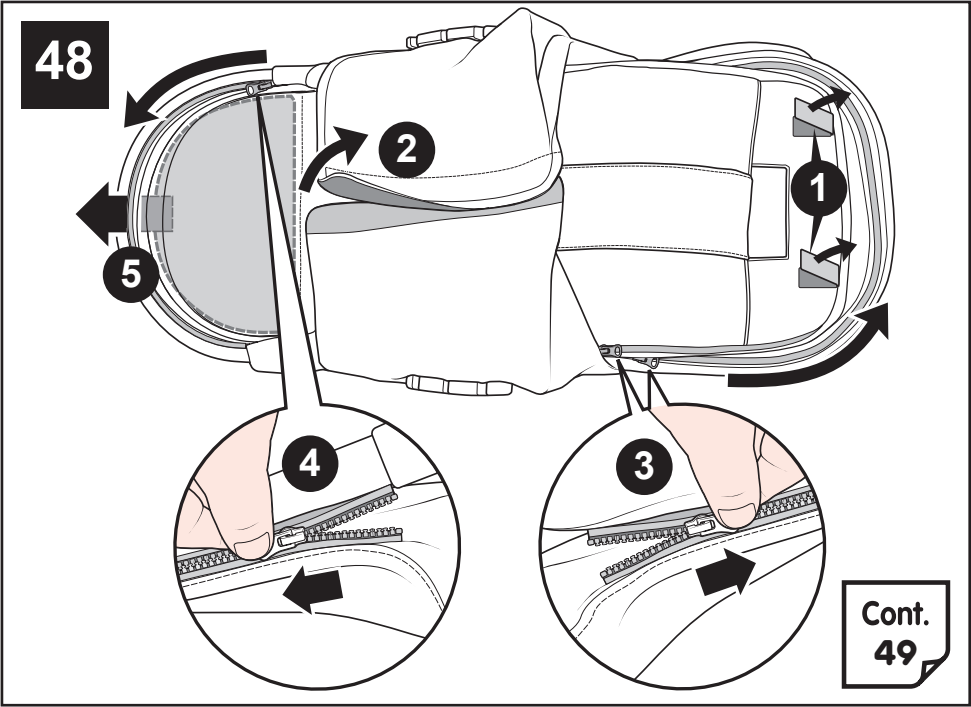


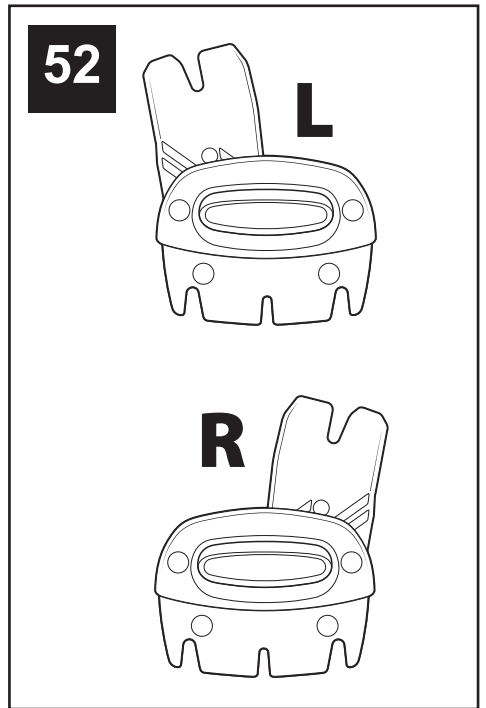
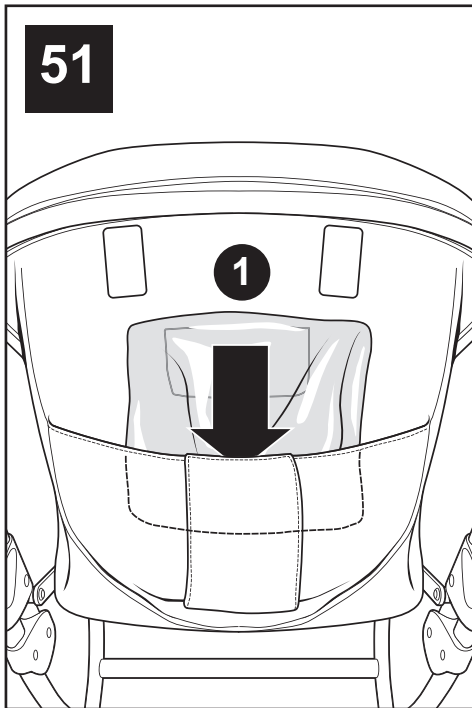
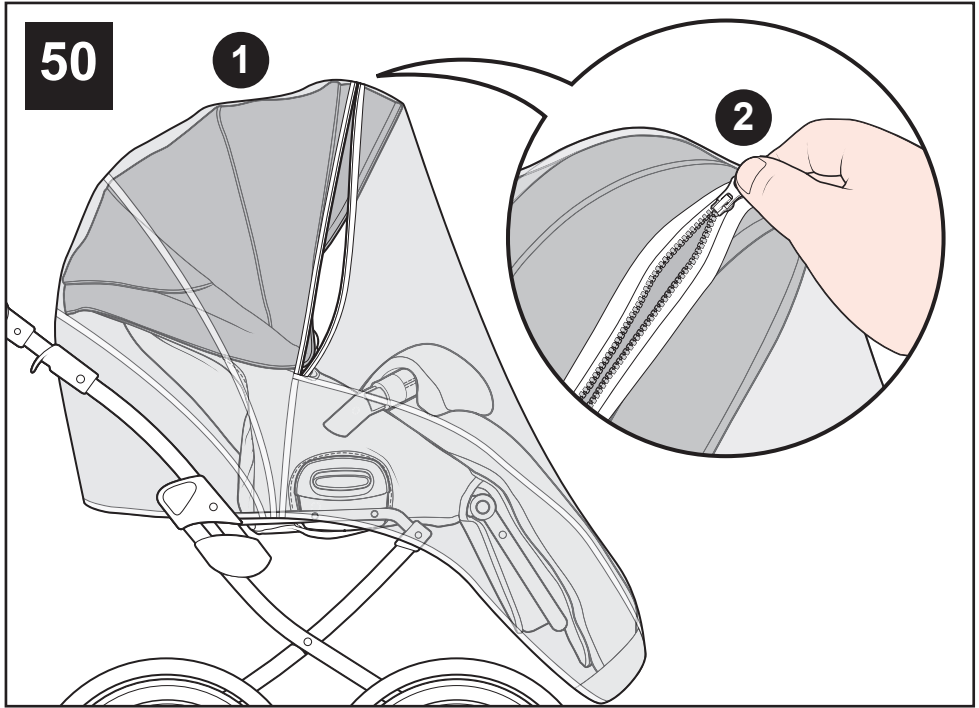




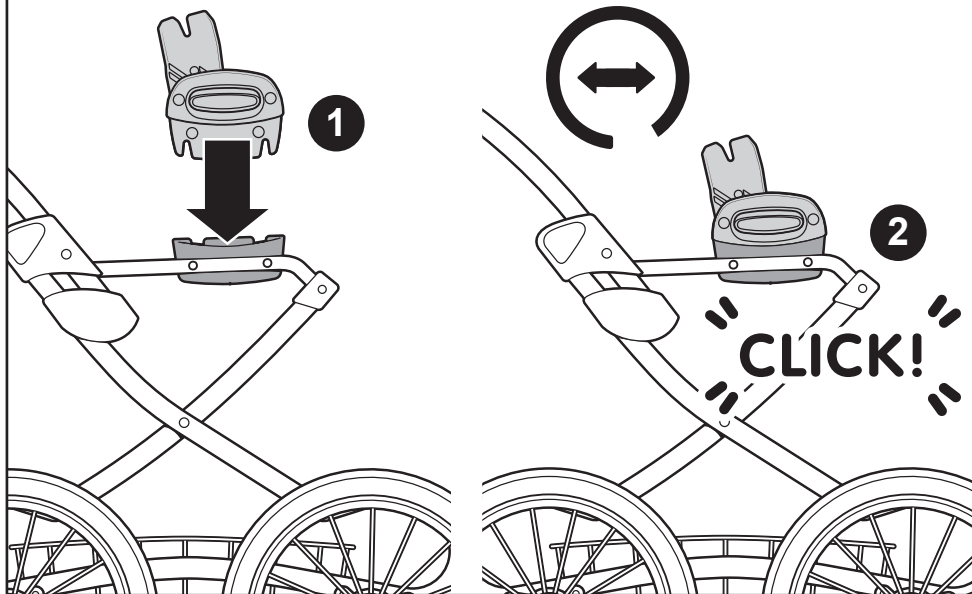




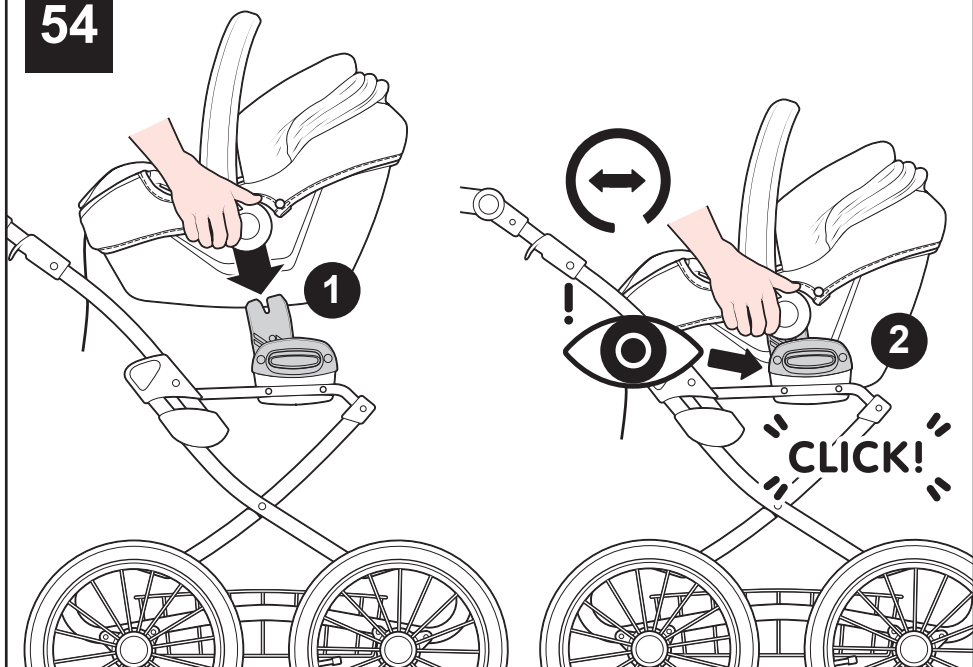




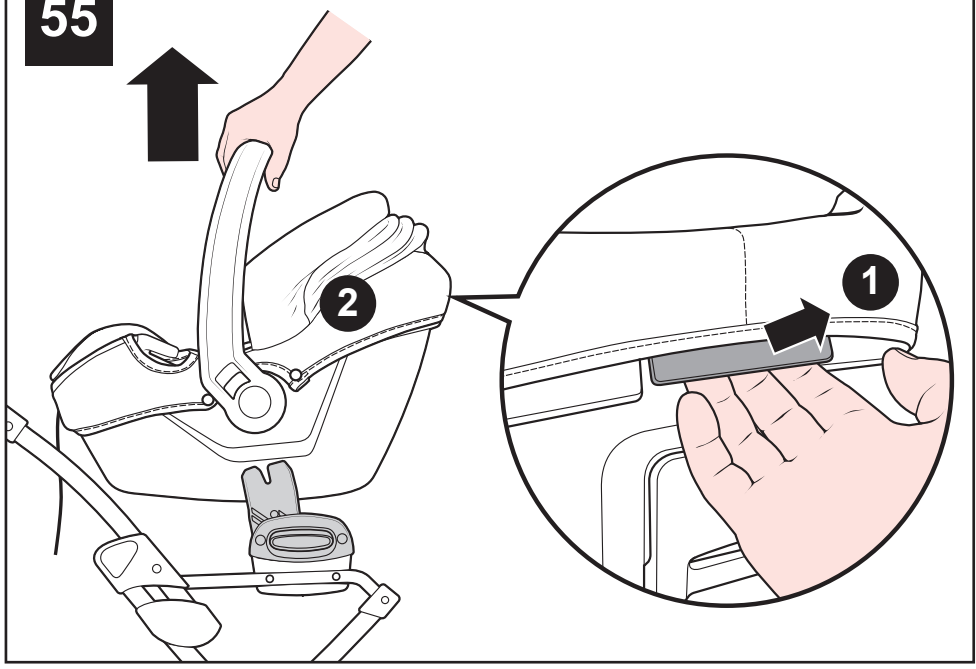
53



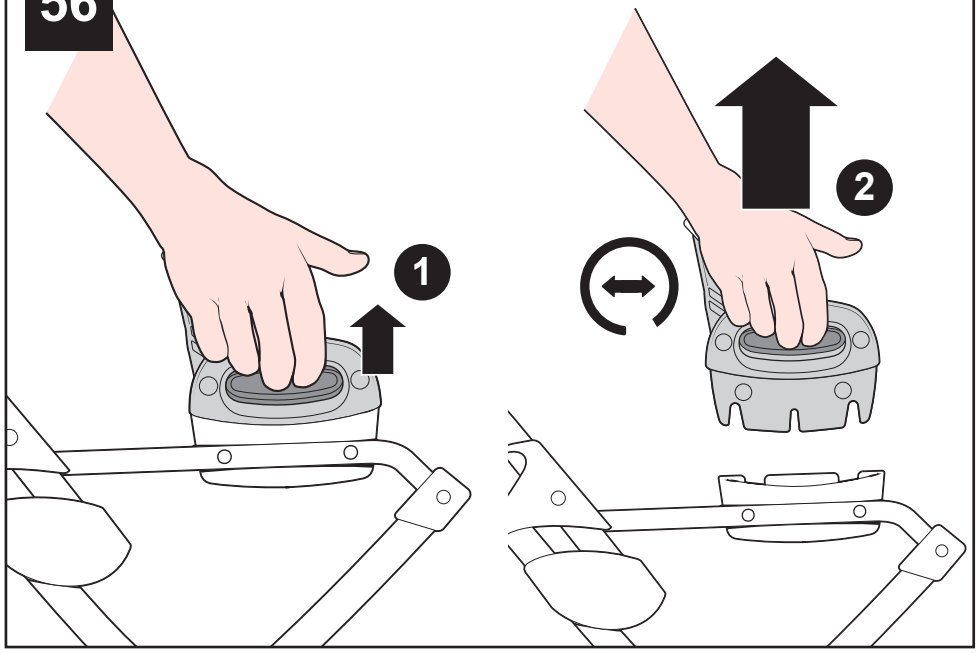
54

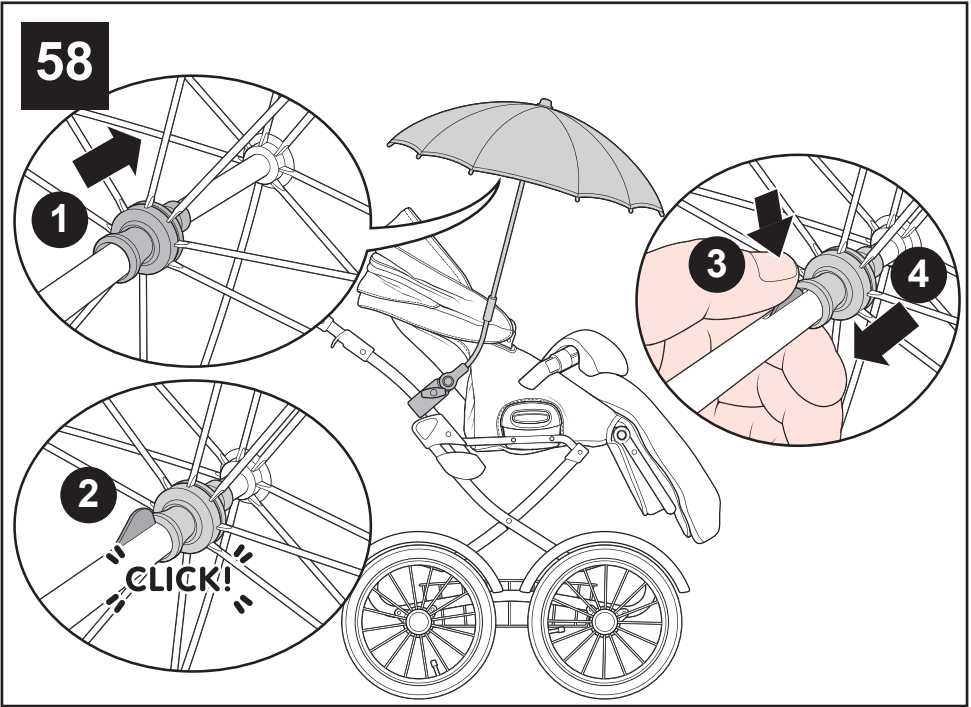
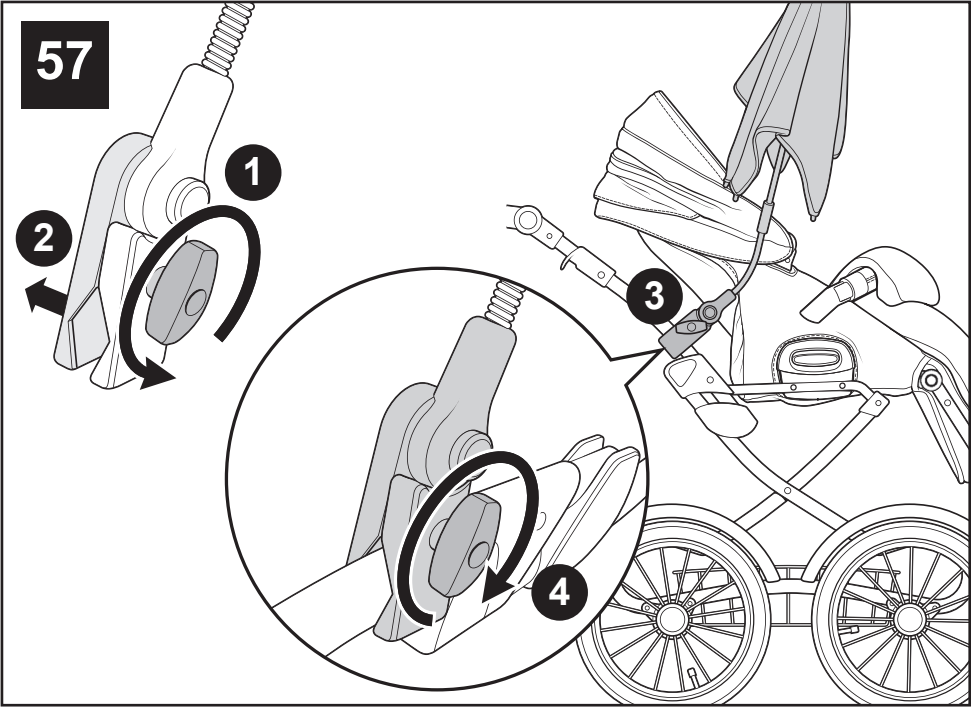


55

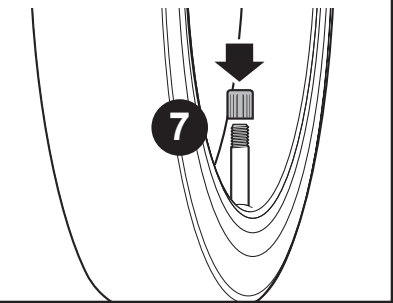
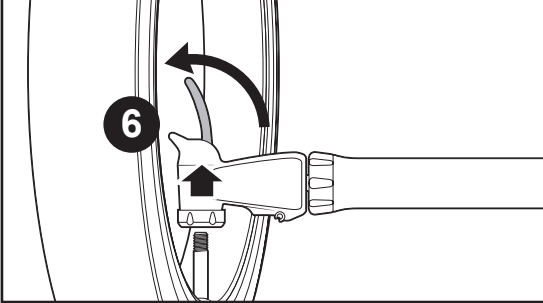
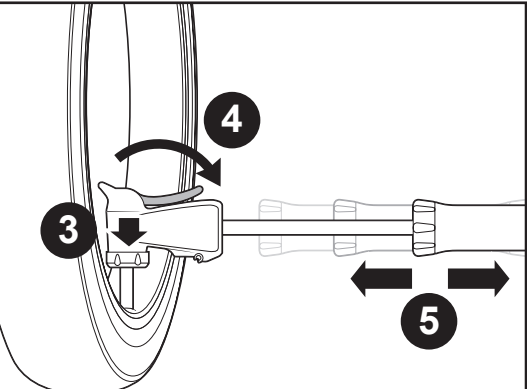
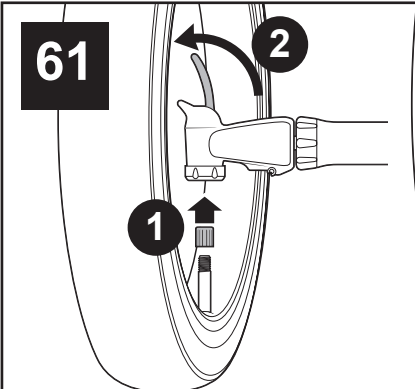
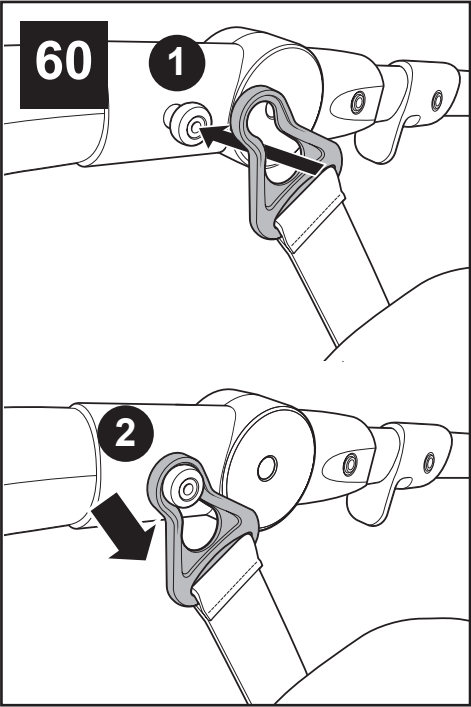
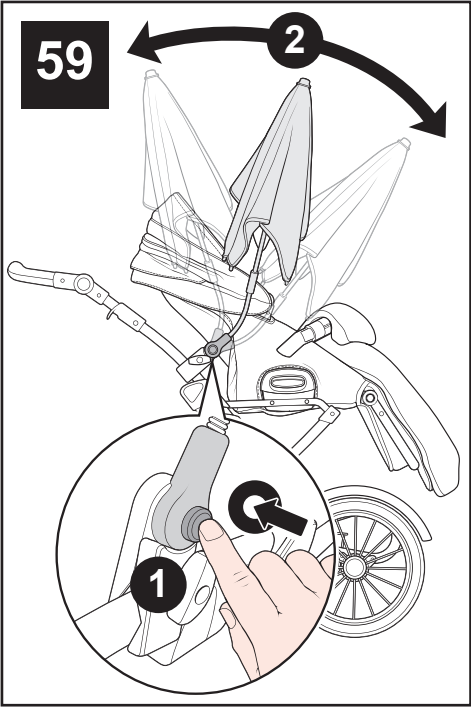


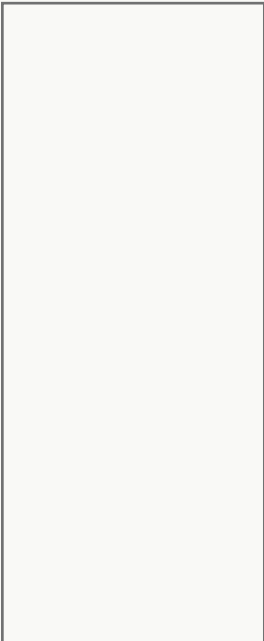
56











Cosatto Ltd  
Bentinck Mill, Bentinck Street, Farnworth, Bolton, BL4 7EP  
cuddle@cosatto.com www.cosatto.com  
UK FREEPHONE: 0800 014 9252\*  
International: +44 120 486 1007

\* Calls from BT landlines are free but calls from  
mobiles and other networks may vary.

All the design and trademarks contained herein are the property of  
Cosatto Limited. No part of this document may be reproduced without  
the permission of Cosatto Limited.